

Product # _____ Type _____ Date _____

Project Name _____

Project Location _____ Prepared By _____

EX O Series

Construction

The copper free aluminum alloy body is powder coated for added durability and an attractive aesthetic appearance. Special heat dissipating design in conjunction with LED technology helps this fixture to achieve an excellent 50,000 hour rated life span with 80% lumen retention. Light weight and a low profile make this unit an attractive alternative to larger and heavier older fixtures and require less hardware to install.

Applications

This Luminaire can be utilized as general illumination and can be pole, wall or ceiling mounted. Recommended for Locations with high humidity, temperature and large amounts of vapor and dust particles. Such as:

- Petroleum Production & Refining
- Petroleum Loading & Transport
- Petroleum Storage & Retail
- Paint Facilities
- Pumping Stations
- Metal Smelting, Foundry and Fabrication
- Mining Operations & Service
- Ocean Platform Operational Facilities & Structure
- Aerospace clean Room and Production
- Chemical Production & Storage
- Ocean Vessel Operations
- Military Spec. Conditions
- Flour & Fine Particle Production and Storage
- Food & Distilling Production
- Electrical Power Generation & Stations



Due to continuing efforts to improve our products, North Star Lighting reserves the right to make changes to this product at any time without prior notice.



835 Industrial Drive, Elmhurst, IL 60126 708.681.4330 www.nslights.com

EX O Series

Ratings and Certifications

- UL 1598A/UL 844
- CSA C22.2 No. 137/No. 250.0
Class I, Division 2, Groups A, B, C, D
Class II, Division 2, Groups F, G
Class III
- Marine and Wet Locations
- NEMA 3, 4X, IP66
- IECEX
- ATEX



Performance

- Luminaire Efficiency: >140 Lumens/Watt
- Input Voltage: 120-277
- LED CRI: 80
- LED CCT: 27K 3K, 4K, 5K
- Beam Distribution: 120°
- Ambient Temp: -20° C to 60° C

Product Specifications

Model	Power (W)	Input Voltage	Lumens	Lumens/Watt	CCT	CRI	Beam Angle
O	10	120-277	1400	140	27K/3K/4K/5K	80	120
O	20	120-277	2800	140	27K/3K/4K/5K	80	120
O	30	120-277	4200	140	27K/3K/4K/5K	80	120

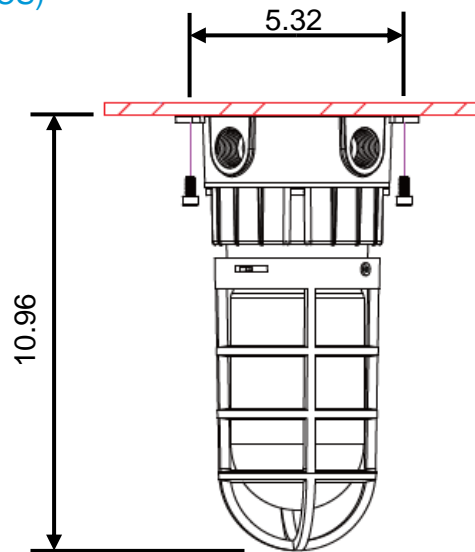
Due to continuing efforts to improve our products, North Star Lighting reserves the right to make changes to this product at any time without prior notice.



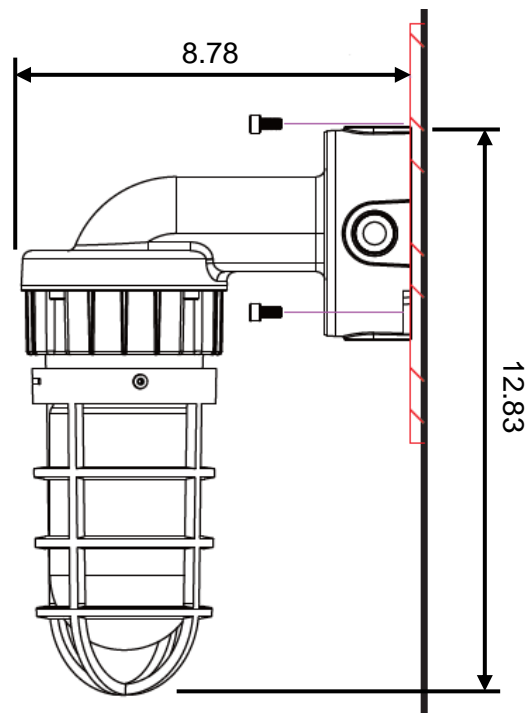
835 Industrial Drive, Elmhurst, IL 60126 708.681.4330 www.nslights.com

Mounting Options

Ceiling Surface Mounting (CS)



Wall Mount Bracket (WM)



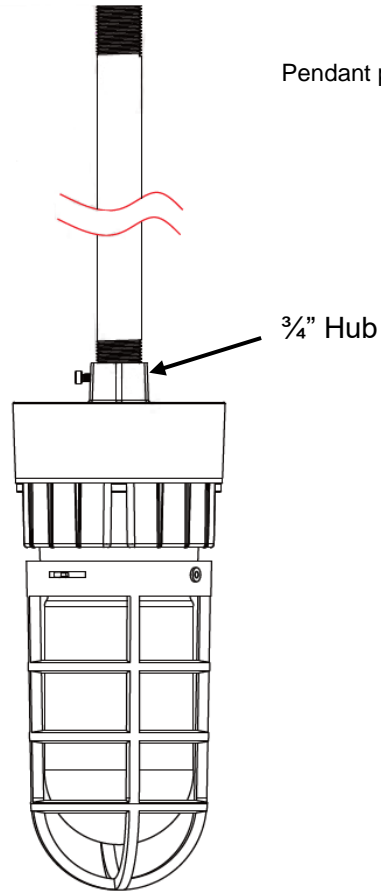
Due to continuing efforts to improve our products, North Star Lighting reserves the right to make changes to this product at any time without prior notice.



835 Industrial Drive, Elmhurst, IL 60126 708.681.4330 www.nslights.com

Pendant Mount (P)

Pendant pipe is supplied by others.



Due to continuing efforts to improve our products, North Star Lighting reserves the right to make changes to this product at any time without prior notice.

Ordering Guide

- - - - - - -

Luminaire Catalog Number			Catalog Adder				Options
Model Number	Power Consumption (Watts)	Product Series	Dimming or Non-Dimming	LED CCT	Beam Distribution	Input Voltage	Luminaire Mounting
EX	10	O	D - Dimming	27 - 2700K	120 - 120°	V1- 120V - 277V	CS - Ceiling/ Surface Mount
	20		N - Non-dimming	3 - 3000K			P - Pendant
	30			4 - 4000K			WM - Wall Mount
				5 - 5000K			

Due to continuing efforts to improve our products, North Star Lighting reserves the right to make changes to this product at any time without prior notice.



835 Industrial Drive, Elmhurst, IL 60126 708.681.4330 www.nslights.com

Revision	Description	Date
-	Initial Release	8/15/24

Due to continuing efforts to improve our products, North Star Lighting reserves the right to make changes to this product at any time without prior notice.



835 Industrial Drive, Elmhurst, IL 60126 708.681.4330 www.nslights.com