

Product # _____ Type _____ Date _____

Project Name _____

Project Location _____ Prepared By _____

Capella™ 2 TW

Construction

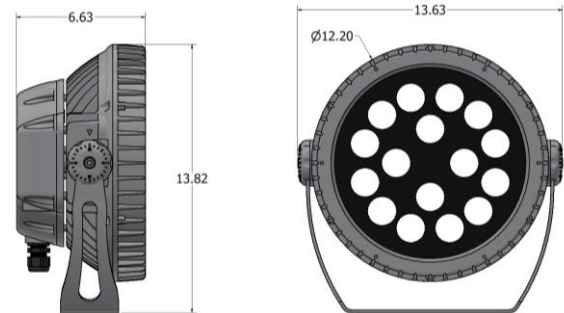
- Housing and lens frame are constructed from heavy-duty low copper die-cast aluminum. Material is structurally rigid and uniformly dissipates heat for longer lumen maintenance life-hours. Standard finish is a mini texture charcoal gray using polyester powder coat paint. Other finishes are available upon request.
- Glass Lens is Minimum 1/8" thick thermal and impact resistant clear tempered glass. Lens frame and housing are sealed using an extruded, memory retentive gasket. All external hardware is stainless steel.
- Mounting Yoke is made from Stainless steel and finished with polyester powder coat to match luminaire

Optical System

- Largest selection of optical choices shall be available to fit your applications. Please specify your selection from the ordering guide. Photometric Application Data table is provided as an additional tool for selecting an appropriate optic system suitable to the application.
- Glare Control: Choice of external glare control accessories are available. Please select them from the catalog ordering guide.

Product Applications

- Flood Lighting
- Very Narrow Flood Lighting
- Stay Cable Bridge Lighting
- Building Wall Washer
- Landscape Lighting
- Sign Lighting
- Art Display Spot Lighting
- Flag Spot Lighting



Fixture EPA: 1.19 sq. ft.
Weight: 15 lbs.

LED configuration shown for illustration purposes only.
Actual LED configuration may be different.



Due to continuing efforts to improve our products, North Star Lighting reserves the right to make changes to this product at any time without prior notice.



Capella™ 2 TW

Electrical Components

- **North Star AlphaLED™ Engine:** Designed and configured with Samsung LH151B 2700K and 6500K LEDs offering high power and high lumen LEDs. AlphaLED™ modules enable North Star to deliver high quality standards and ensure warranty replacement. LED modules mounted directly on the highly conductive aluminum die-cast housing. These LEDs are operating below 85°C case temperature and deliver superior maintained illumination per LM80 L80 standards.
- **LED Drivers:** UL/CSA recognized component to meet UL8750 & EN61347 (USR/CNR -E328335). Suitable for input power at 120-277VAC 50/60Hz. See Rated input power table for input voltage and current ratings.
- **Power connection:** A 6-foot long outdoor rated water and oil resistant cable shall be provided for electrical power and control. Wiring is to be connected to the nearest outdoor rated IP66 junction box (By Others).

Mounting

- Adjustable aim and lock type yoke is provided with a 0.563 diameter center hole and two 60-degree slots to mount on horizontal or vertical surface depending on application. The yoke is made of Stainless steel and finished powder coat to match luminaire finish.

Dimming Controls

- 0-10V: CCT and Intensity

Safety Compliance

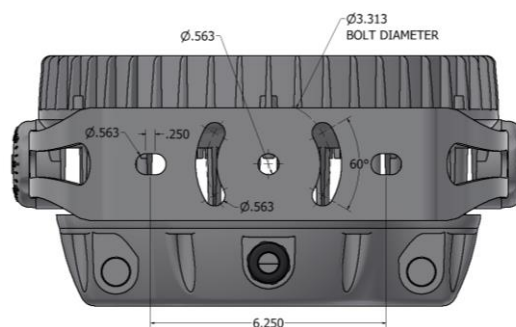
- UL 1598 and CSA C22.2 NO. 250.0 standards.
- Suitable for indoor/outdoor wet (IP66) or damp location use.
- IK07 impact resistant
- Operating Temperature Range: -40 C° to 40 C°

Warranty

- Limited 5 years
- LED Driver: limited 5 years

Mounting Options

Yoke Mounting Dimensions



Due to continuing efforts to improve our products, North Star Lighting reserves the right to make changes to this product at any time without prior notice.



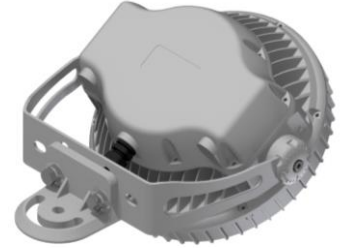
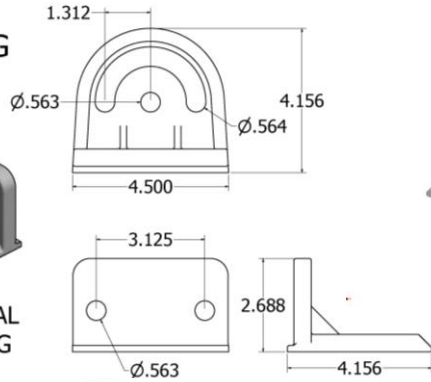
Capella™ 2 TW

Mounting Accessories

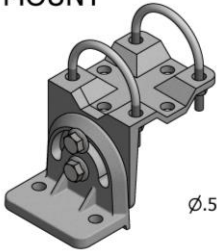
SB-2 MOUNTING BRACKET



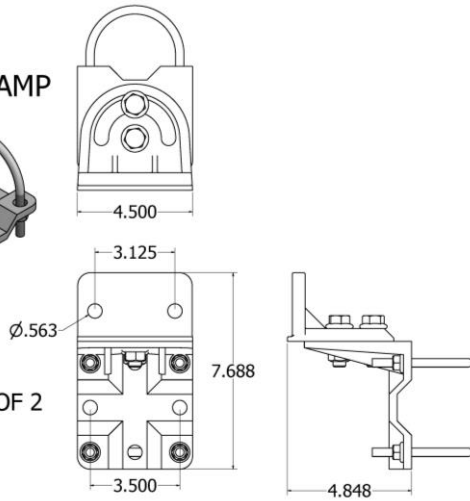
FOR HORIZONTAL YOKE MOUNTING



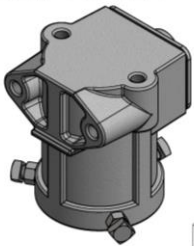
SB-3 PIPE CLAMP MOUNT



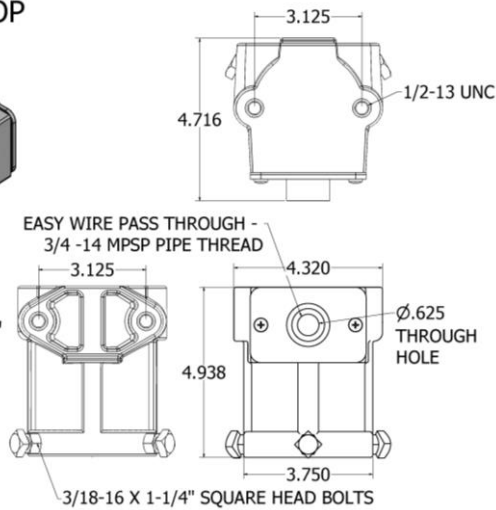
FOR PIPE SIZES OF 2 TO 3 INCHES



SB-5 POLE TOP SLIP-FITTER



FITS 2" TO 2-1/2" PIPE (2 3/8" TO 2 7/8" OD)



Due to continuing efforts to improve our products, North Star Lighting reserves the right to make changes to this product at any time without prior notice.

Capella™ 2 TW

Glare Control Accessories



SV – Standard Visor



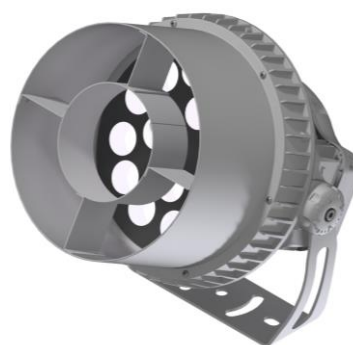
V – Visor



H – Hood

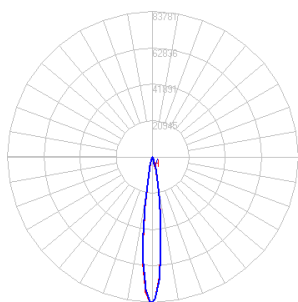


CL – Cross Louver Hood

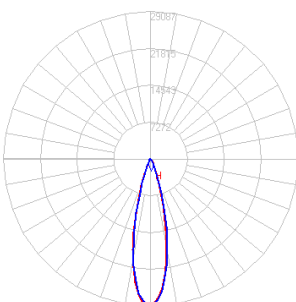


CR – Concentric Ring Louver Hood

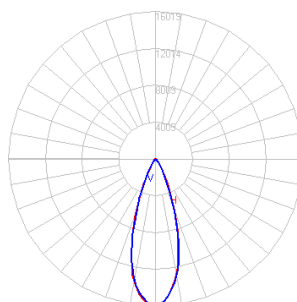
Beam Distributions



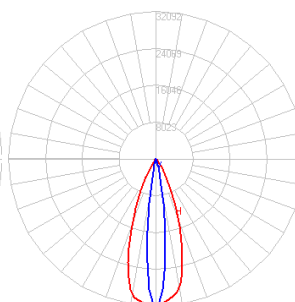
Narrow 14° – D14



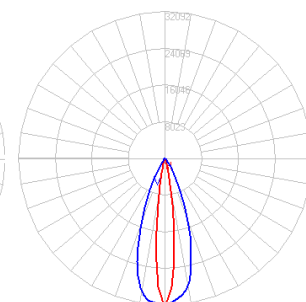
Medium 25° – D25



Wide 35° – D35



Elliptical Horizontal
39° x 14° – ELH



Elliptical vertical
14° x 39° – ELV

NOTE: SEE PHOTOMETRIC APPLICATION DATA FOR SPECIFIC BEAM INFORMATION

Due to continuing efforts to improve our products, North Star Lighting reserves the right to make changes to this product at any time without prior notice.



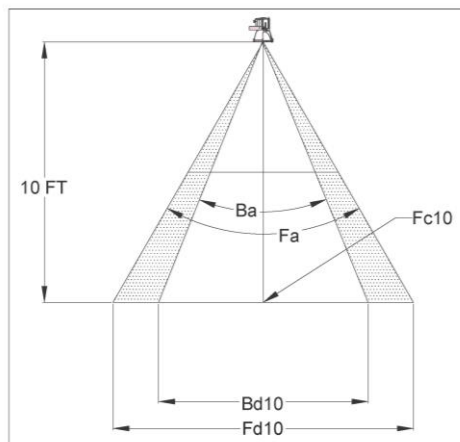
835 Industrial Drive, Elmhurst, IL 60126 708.681.4330 www.nslights.com

CAPELLA 2 TW-REV_-2023-03-09

Capella™ 2 TW

Photometric Application Data

Performance Values	Optic D14	Optic D25	Optic D35	Optic ELH	Optic ELV
NEMA Classification	2HX2V	3HX3V	4HX4V	4HX2V	2HX4V
Maximum Center Candela Cd-max	83781	29087	16019	32092	32092
Maximum Center Fc @10 ft - Fc10	838	291	160	321	321
Beam Angle @ 50% of Max. Fc - Ba degrees	13.9	25.2	34.6	39 x 14	14 x 39
Field Angle @ 10% of Max Fc - Fa degrees	26	44.5	59.1	62 x 26	26 x 62
Beam Diameter in feet @10 ft - Bd10	2.44	4.47	6.23	7.08 x 2.46	2.46 x 7.08
Field Diameter in feet @10 ft - Fd10	4.62	8.18	11.34	12.02 x 4.62	4.62 x 12.02



Output Lumens Table

Optic Type	D14	D25	D35	ELH	ELV
Output Lumens*	6834	6581	6367	6549	6549

*Lumen values at 4000K

Rated Input Power Table

CAP2TW LED Power	Luminaire Rated input Power (AC 50/60 Hz)	Input Current at rated voltage			
Watts	Watts	120	208	240	277
68	78	0.7	0.4	0.3	0.3

Due to continuing efforts to improve our products, North Star Lighting reserves the right to make changes to this product at any time without prior notice.

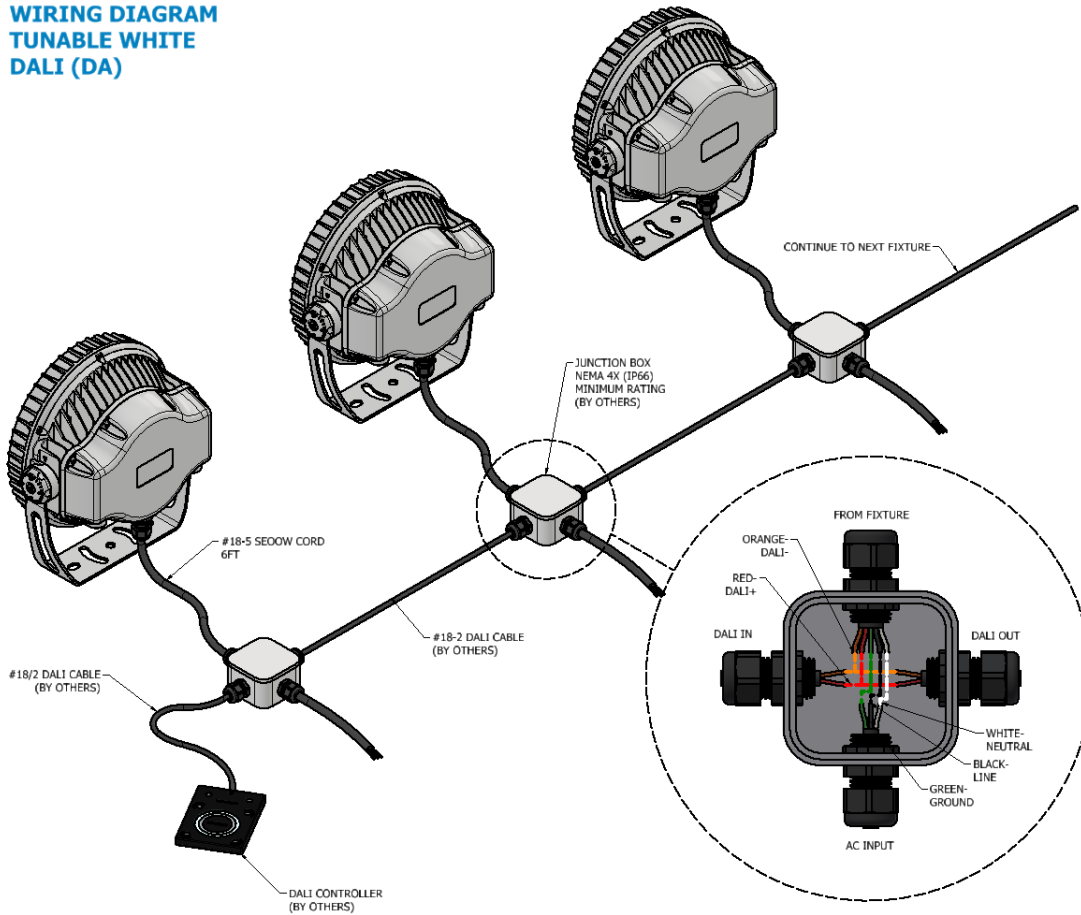


835 Industrial Drive, Elmhurst, IL 60126 708.681.4330 www.nslights.com

CAPELLA 2 TW-REV_-2023-03-09

Capella™ 2 TW

WIRING DIAGRAM TUNABLE WHITE DALI (DA)



Due to continuing efforts to improve our products, North Star Lighting reserves the right to make changes to this product at any time without prior notice.



Capella™ 2 TW

Ordering Guide

- - - - -

Model Number	LED Power (Watts)	Light Beam Distribution (FWHM)	Input voltage (VAC)	Lighting Controls	Glare Control
CAP2TW	68 - 68W	D14 - 14° Narrow Beam	U - 120V-277V	DM - Two 0-10 VDC (CCT & Intensity) Interface Only	SV - Standard Visor
		D25 - 25° Medium Beam			V - Visor
		D35 - 35° Wide Beam			H - Hood
		ELH - 39° x 14° Elliptical Horizontal Beam			CL - Cross Louver
		ELV - 14° x 39° Elliptical Vertical Beam			CR - Concentric Ring Louver

*Requires minimum 50 quantity and will have a minimum 10-week lead-time.
 **Contact North Star Lighting for Availability and lead-times.

Due to continuing efforts to improve our products, North Star Lighting reserves the right to make changes to this product at any time without prior notice.



Capella™ 2 TW

Revision	Description	Name	Date
-	Original Release	CD	2023-03-09

Due to continuing efforts to improve our products, North Star Lighting reserves the right to make changes to this product at any time without prior notice.



835 Industrial Drive, Elmhurst, IL 60126 708.681.4330 www.nslights.com

CAPELLA 2 TW-REV_-2023-03-09