

Product # \_\_\_\_\_ Type \_\_\_\_\_ Date \_\_\_\_\_

Project Name \_\_\_\_\_

Project Location \_\_\_\_\_ Prepared By \_\_\_\_\_

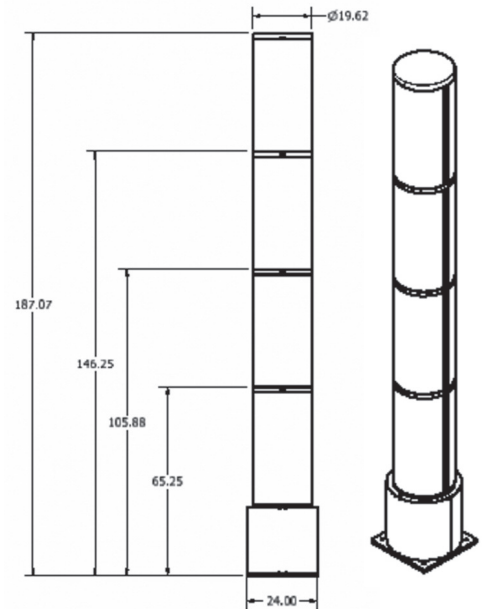
# LT-500 LED Light Tower

## Tower Structure

- Outer Tube: Impact resistant, translucent polycarbonate plastic, UV resistant. Optional unlimited architecturally pleasing and functional performance variations are available. Consult our sales/customer service for the detail.
- Optional Lens Design Variations:
  - Translucent white - standard
  - Metal cell, specify color or texture finish or logo/text/design
  - Custom graphic/text or logo
- Base Assembly: Structurally rigid consist of 1" thick structural, US made steel weldment. Finished corrosion resistant primed and powder coated paint.
- Outer Base Cover: Stainless steel
- Tower Size: 20" Diameter; Section Height = 40"; Base height = 24"
- Power Input: Maximum 300W, 120-277VAC 50/60Hz

## Operating Condition

- Temperature Range: -20 Degree C to +50 Degree C.B17
- Humidity Range: 0 to 95%
- Application: Indoor or outdoor, damp or wet location.



## Ordering Guide

MODEL	NO. OF SECTIONS	WATTS/ SECTION	CCT COLOR TEMP	LIGHT SPREAD	INPUT VAC	LIGHTING CONTROL	OPTIONS
<b>LT</b>	<b>3</b>	<b>225W</b>	<b>RGB</b>	<b>360</b>	<b>U</b>	<b>DMX</b>	<b>DF</b>
LT	1	75W	CW = Cool White	180 = 180 degree	U = Universal	DIM = Dimming, white LED only	SF = Single Fuse
	2	150W	WW = Warm White	360 = 360 degree	110V to 277V	DMX = DMX interface, RGB	DF = Double Fuse
	3	225W	RGB = dmx controllable red, green and blue				VG = Vandal Guard
	4	300W					

Product # \_\_\_\_\_ Type \_\_\_\_\_ Date \_\_\_\_\_

Project Name \_\_\_\_\_

Project Location \_\_\_\_\_ Prepared By \_\_\_\_\_

# LT-500 LED Light Tower

## Modular Components Assembly

- Tower One Meter Section: Up to 4 sections; Nominal 40.1" height per section.
- LED Digital Tube: 6 per one meter section - RGB or white; total 24 digital tubes - Rated IP65; maximum 75W per section; 7000 lumens-cool white.
- Base Assembly: 24" diameter X 24" height with 24" square base plate.
- LED Controller: Integral to the LED digital tube
- LED Driver: Integral to base assembly.

## LED Digital IP65 Light Module

- Number of LEDs: 144 (R48, G48, B48) 12W each for RGB or 30 LEDs for cool white.
- Housing: Round UV resistant pc tube + aluminum housing for RGB or square extrusion for white.
- Service Life Hours at L70: 50,000 + hours.
- Input Power: 12W 12VDC.
- Pixels per meter: Universal addressable 1, 2, 4, 8 or 16 (for RGB only).
- DMX Protocol: DMX 512 programmable.

- Data Cable: 4-pin 4-wire cable (Brown - DMX-A; Green - DMX-B; Blue - NC; Black - Gnd); 4-pin Male and 4-pin Female (for RGB).

## Bollard Load Ratings

- EPA = 20 Sq. ft.; Maximum bearing weight = 950 lb (total of 4-sections and base assembly); 98 lb. per section assembly.

## Support Structure Design Loads

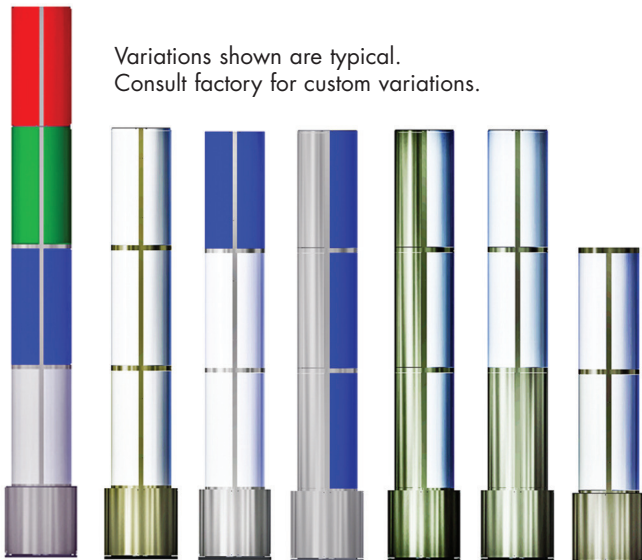
- Structural concrete pedestal must be designed to sustain 20 sq. ft. EPA rating of LED bollard, to withstand suitable wind loading of the application. Also support structural must withstand minimum bearing load 950 lb. Each anchor bolt must withstand 400 ft. lb. tightening torque.

## Mounting Anchor Bolts

- (4) 1" - 8 X 18" J-anchor bolts, 4" J-hook, hot dip galvanized steel; 6" thread length; mounted on 19" X 19" square corners. Nominal tightening torque 175 - 200 lb. ft. recommended.

## Safety Standards

- ETL certified for UL 1598 and CSA 22.2 No. 250.0 Standards suitable for outdoor wet location or indoor application in USA or Canada.



Product # \_\_\_\_\_ Type \_\_\_\_\_ Date \_\_\_\_\_

Project Name \_\_\_\_\_

Project Location \_\_\_\_\_ Prepared By \_\_\_\_\_

# LT-500 LED Light Tower

