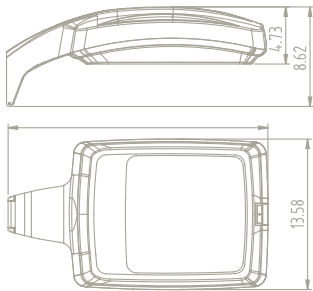


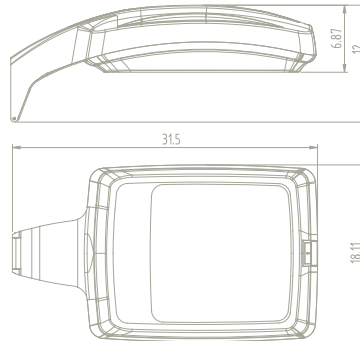
STAR SPEC ARCHITECTURAL



SSA20



SSA40



BASIC PRODUCT DESCRIPTION

Low copper die cast aluminum housing and front frame. Corrosion resistant pre-treatment and textured bronze powdercoat finish. Front frame with flat glass lens is hinged and features an easy-open latch for tool-less hands-free relamping! Integral ballast box/gear tray. Optics are Type III Specular aluminum. Additional optics available soon.

PRODUCT SPECIFICATION

Star Spec Architectural is a specification grade luminaire designed to compliment contemporary architecture. With its sleek aerodynamic styling Star Spec is the ideal choice wherever cutoff illumination is required.

The SA40 (Large Size) is available in H.I.D.400 watts. The SA20 (Smaller Size) has been scaled to complement the larger model at lower mounting heights and is available up to 175 watts. The smaller model is ideal for pedestrian scale applications where fixtures are closer to the ground.

When used together, the large and small Star Spec provide seamless transition from parking lot to building entrance by decreasing luminaire scale and maintaining a consistent appearance. Both sizes are available in wall mount versions to address path of egress requirements.

ACCESSORIES

Round Pole Adapter—  
Die cast aluminum with textured bronze finish, allows mounting to 4" to 6" round poles.

Wall Mount Adapter—  
Die cast aluminum with textured bronze finish, allows wall mounting.

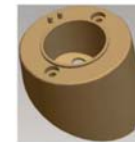
Photocell Bracket—  
Accepts photocell for dusk to dawn operation.



SSA20RP  
Round Pole  
Adapter



SSA40WM  
Wall Mount  
Adapter



SSAPCB

ACCESSORY	MODEL #	FITS MODEL #
Round Pole Adapter	SSA20RP	SSA20
	SSA40RP	SSA40
Wall Mount Adapter	SSA20WM	SSA20
	SSA40WM	SSA40
Photocell Bracket	SSAPCB	SSA20, SSA40

ORDERING EXAMPLE

Unit	Wattage	Photometrics	Mounting	Lamp Style	Voltage	Ballast Style	Options
Star Spec Architectural	6	3	6	H	120	H	BRZ
SSA20	2 - 150	2 - IES Type II	4- Knuckle	H - Metal Halide	120	H - High Power Factor	BRZ - Bronze
SSA40	3 - 175	3 - IES Type III	6- Arm Mount	LS - High Pressure Sodium	208		WHT - White
	4 - 250	4 - IES Type IV	8- Pole Mount		240		BLK - Black
	6 - 400		9- Wall Mount		277		SLV - Silver
	200 - 200PS				480		
	320 - 320PS				4MT- (120, 208,		
	350 - 350PS				240, 277V)		
	400 - 400PS						