

# Star Flood Wide (SFW)

(SFW)

## Star Flood Wide Specification

Star Flood, NEMA heavy duty, wide beam rectangular weatherproof floodlight, shall accommodate a 150 to 400 watt mogul base high pressure sodium lamp or 175-400 watt mogul base metal halide lamp or 200-400 watt metal halide pulse start lamp. Available with (specify) 120, 208, 240, 277, 480 volt or 4MT (120, 208, 240, 277V) 60Hz ballast. The floodlight shall be completely pre-wired and factory assembled.

## Basic Product Description

Cast aluminum ballast and lamp housing compartment contains thermally isolated wiring. Floodlight is finished in all weather brinze polyester powder coating. Floodlight shall include a sturdy two hole mounting yoke formed of high strength non-corrosive aluminum. Wiring compartment access through lens door. Adjustable knuckle 2" pipe (2- 3/8") mounting is available. All stainless steel hardware. The tempered clear glass lens is thermal shock and impact resistant.

## Ballast Characteristics

The floodlight shall contain a U.L. recognized High Power Factor, constant wattage auto-transformer type ballast and start and operate the lamp down to -20°F (-30°C) for metal halide and -40°F (-40°C) for high pressure sodium. Mercury vapor lamps may be used in 400 watt metal halide fixtures. For availability of 220/240V 50Hz ballasts - consult factory.

## Reflector Assembly

Cast hinged lens frame with silicone gasket provides easy front access to lamp. A precision formed anodized finished faceted reflector provides wide beam distribution.

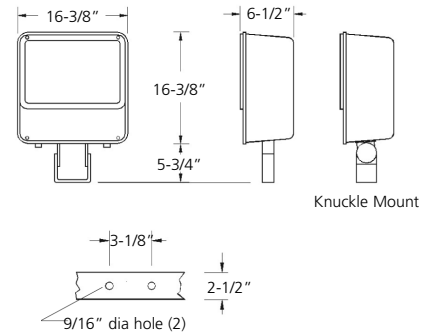
## Suggested Applications

Building, automobile sales lot and general security lighting.



Suitable for wet locations  
Lamp included

Effective Projected Area  
EPA = 1.89 SQ. FT.  
WEIGHT = 40 lbs Max.



Knuckle Mount

Accessories/Mounting Brackets, see  
Accessory Page



## Ordering Example

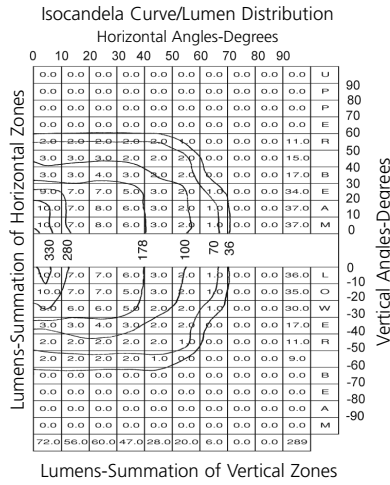
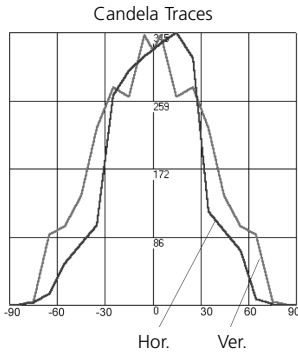
Unit SFW	Wattage 4	Photometrics W	Mounting 1	Lamp Style H	Voltage 208	Ballast Style H
Star Flood	2 - 150 3 - 175 4 - 250 6 - 400 200 - 200PS 320 - 320PS 350 - 350PS 400 - 400PS	W - Wide Beam	1- Yoke Mount 4 - Knuckle Mount (factory installed)	LS - High Pressure Sodium H - Metal Halide	120 208 240 277 480 4MT (120, 208, 240, 277V) LB - Less Ballast*	H - High Power Factor
<b>Accessories</b>						
<b>RPC</b>						
SIF - Single Inline Fuse (120, 277v)						
DIF - Double Inline Fuse (208, 240, 480v)						
FB - Filter Breather						
SC - Stainless Steel Safety Cable						
RPC - Photocell Receptacle						
PE - Photocell						
3/14/350 - 3 ft. cord. for other length change 3' to length desired						
UP - For aiming above horizontal						
CSA Certification - consult factory.						
*Consult factory						



OUTDOOR LIGHTING—Floodlighting—Star Flood Wide

# Star Flood Wide (SFW)

## Photometrics

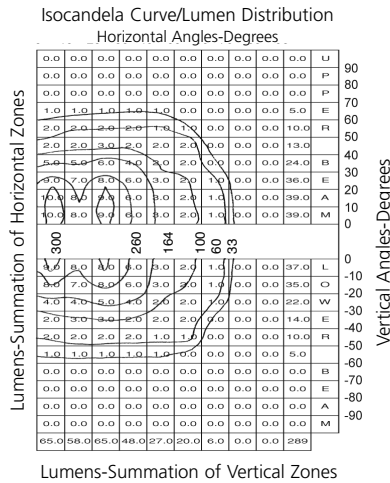
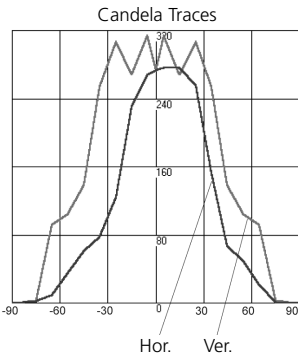


Fixture: SFW-6W1H  
Lamp: 250 - 400 Watt Clear Metal Halide

IES Type	7H X 6V
Max Candela	345
Hor Field Angle (10%)	142.6 deg
Ver Field Angle (10%)	121.0 deg
Field Lumens	572
Field Efficiency	57.2%
Total Lumens	582
Total Efficiency	58.2%

Candela & Lumen values are based on 1,000 lamp lumens. For other lamp lumen ratings, multiply candela and lumen values by the number: Lumens divided by 1,000.

Per 1,000 Lamp Lumens



Fixture: SFW-6W1LS  
Lamp: 150 - 400 Watt High Pressure Sodium

IES Type	7H X 6V
Max Candela	320
Hor Field Angle (10%)	143.5 deg
Ver Field Angle (10%)	121.6 deg
Field Lumens	560
Field Efficiency	56.0%
Total Lumens	571
Total Efficiency	57.1%

Candela & Lumen values are based on 1,000 lamp lumens. For other lamp lumen ratings, multiply candela and lumen values by the number: Lumens divided by 1,000.

Per 1,000 Lamp Lumens

