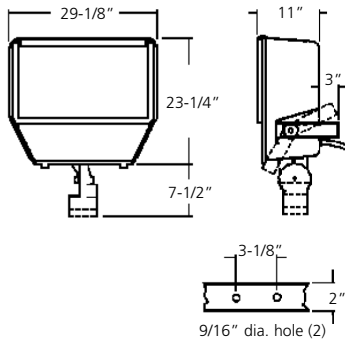


# Star Flood Large (SFA)



Suitable for wet locations  
Lamp not included

Effective Projected Area  
EPA = 4.4 SQ. FT.  
WEIGHT = 80 lbs



Accessories/Mounting Brackets,  
see Accessory Page

### Star Flood Specification

Star Flood, NEMA heavy duty, 6x2, 6x3 or TYPE 5, rectangular weatherproof floodlight, shall accommodate a 1000 watt metal halide lamp. Available with (specify) 120, 208, 240, 277, 480volt or 4MT (120, 208, 240, 277V) 60Hz ballast. Floodlight shall be completely pre-wired and factory assembled.

### Basic Product Description

Cast aluminum ballast and lamp housing compartment contains thermally isolated wiring. Floodlight is finished in all weather bronze polyester powder coating (optional colors available). Floodlight shall include a sturdy two hole mounting yoke formed of high strength non-corrosive aluminum. Wiring compartment access through lens door. Adjustable knuckle 2" to 2 1/2" pipe (2 3/8" to 2 7/8" O.D.) mounting is available. All stainless steel hardware. The tempered clear glass lens is thermal shock and impact resistant.

### Ballast Characteristics

The floodlight shall contain a U.L. recognized High Power Factor, constant wattage auto-transformer type ballast and start and operate the lamp down to -20°F (-30°C) for metal halide and -40°F (-40°C) for high pressure sodium. Mercury vapor lamps may be used in metal halide fixtures. For availability of 220/240V 50Hz ballasts - consult factory.

### Reflector Assembly

Cast hinged lens frame with silicone gasket provides easy front access to lamp. A precision formed anodized finished reflector provides wide beam distribution.

### Suggested Applications

General recreational, sports, car lots and building lighting.

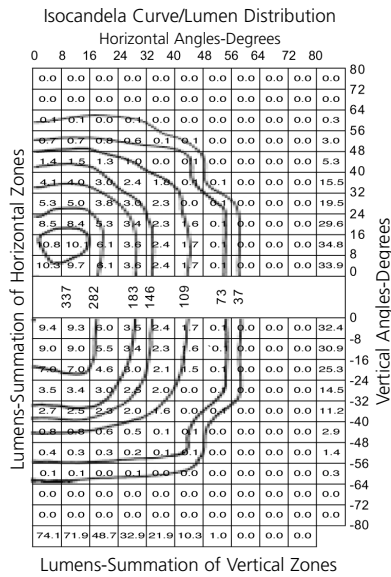
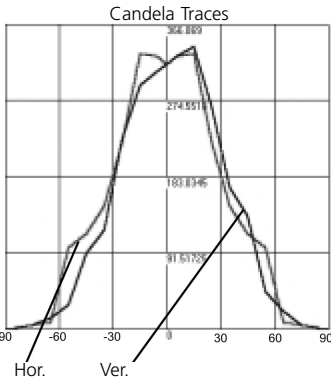
### Ordering Example

Unit	Wattage	Photometrics	Mounting	Lamp Style	Voltage	Ballast Sstyle
SFA	8	5	1	H	208	H
Star Flood	8 - 1000	Type 2-(6x2) Type 3-(6x3) Type 5-(wide beam)	1-Yoke Mount 4-Knuckle Mount (factory installed)	H - Metal Halide	120 208 240 277 480 4MT- (120, 208, 240, 277V) LB - Less Ballast*	H - High Power Factor
<b>Accessories</b>						
<b>V</b>						
V - Visor						
LS - Lamp Support						
SIF - Single Inline Fuse (120, 277v)						
DIF - Double Inline Fuse (208, 240, 480v)						
FB - Filter Breather						
PL - Vandal Resistant Polycarbonate Shield						
SC - Stainless Steel Safety Cable						
RPC - Factory Wired Twist Lock Photocell Receptacle Only						
PE - Twist Lock Photocell						
3/14/350 - 3 ft. cord. for other length change 3' to length desired						
UP - for aiming above horizontal						
*Consult Factory						
Note: Type 2 and Type 3 - lamp is mounted horizontally.						
CSA Certification - consult factory.						



# Star Flood Large (SFA)

## Photometrics

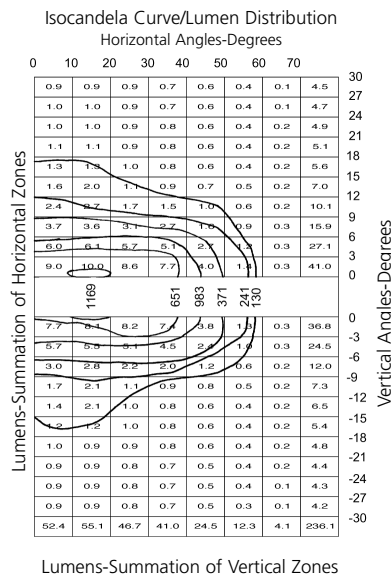
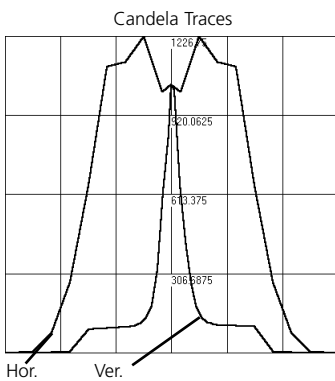


Fixture: SFA-851H  
Lamp: 1000 Watt Clear Metal Halide

IES Type 6H X 6V  
Max Candela 366  
Hor Field Angle (10%) 123.2 deg  
Ver Field Angle (10%) 113.7 deg  
Field Lumens 501  
Field Efficiency 50.1%  
Total Lumens 519  
Total Efficiency 51.9%

Candela & Lumen values are based on 1,000 lamp lumens. For other lamp lumen ratings, multiply candela and lumen values by the number: Lumens divided by 1,000.

Per 1,000 Lamp Lumens



Fixture: SFA-851H  
Lamp: 1000 Watt Clear Metal Halide

IES Type 6H X 3V  
Max Candela 1302  
Hor Field Angle (10%) 124.8 deg  
Ver Field Angle (10%) 35.9 deg  
Field Lumens 365  
Field Efficiency 36.5%  
Total Lumens 583  
Total Efficiency 58.3%

Candela & Lumen values are based on 1,000 lamp lumens. For other lamp lumen ratings, multiply candela and lumen values by the number: Lumens divided by 1,000.

Per 1,000 Lamp Lumens