

Product # \_\_\_\_\_ Type \_\_\_\_\_ Date \_\_\_\_\_

Project Name \_\_\_\_\_

Project Location \_\_\_\_\_ Prepared By \_\_\_\_\_

## Stainless Steel Bollard

### Housing

Formed 316 stainless steel housing 7" diameter round with flush mounting base & vandal-resistant screws, secured to a cast aluminum mounting base with four tamper resistant screws. Domed top, internal ballast tray for easy maintenance.

### Finish

The Bollard finish is polished stainless steel.

### Optical Assembly

Clear polycarbonate lens sealed to the post with a full EPDM gasket, sealing out moisture and dust. Internal louvers are clear anodized aluminum.

### Lamping

High efficacy AC LED.

### Installation & Mounting

Luminaire shall be completely pre-wired for ease of installation. Installation by using four 3/8" x 9" long anchor bolts, leveling nuts and washers.

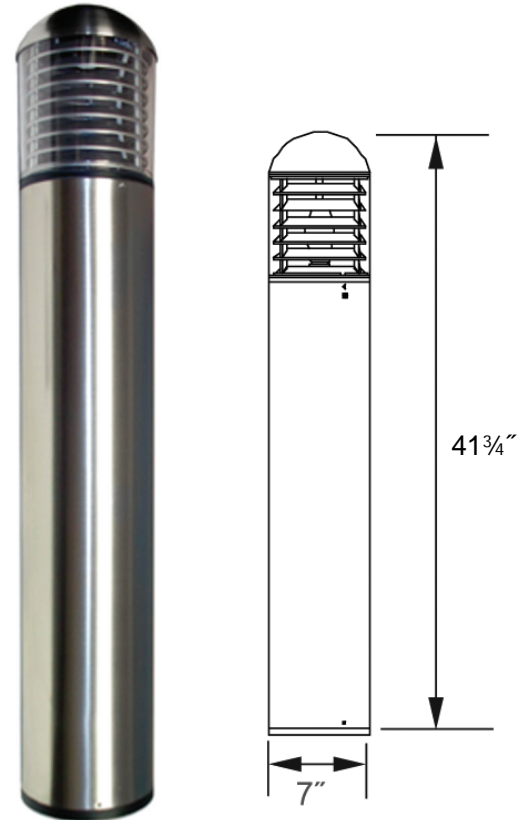
### Warranty & Certifications

Suitable for wet locations.

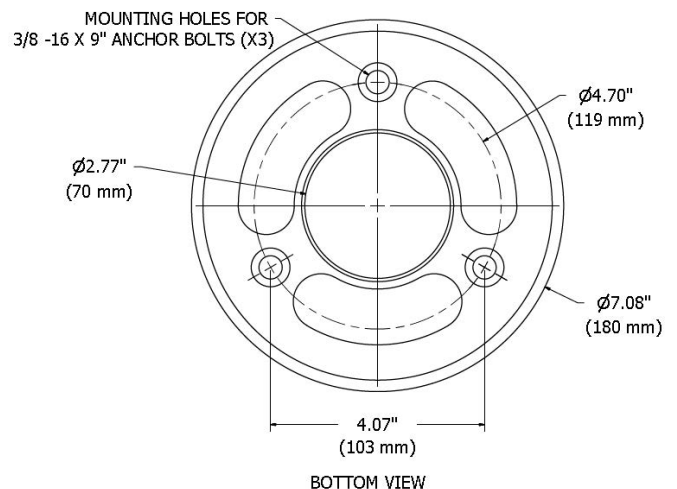
### Electrical Assembly

LED Light Engines: ETL certified as recognized components for UL8750 and CAN/CSA 250.0-8. 14W or 23W available.

14W AC LED = 0.50 fc @ 7 feet; Recommended spacing 14 ft for 1.0 fc avg.  
23W AC LED = 0.50 fc @ 9 feet; Recommended spacing 18 ft for 1.0 fc avg.



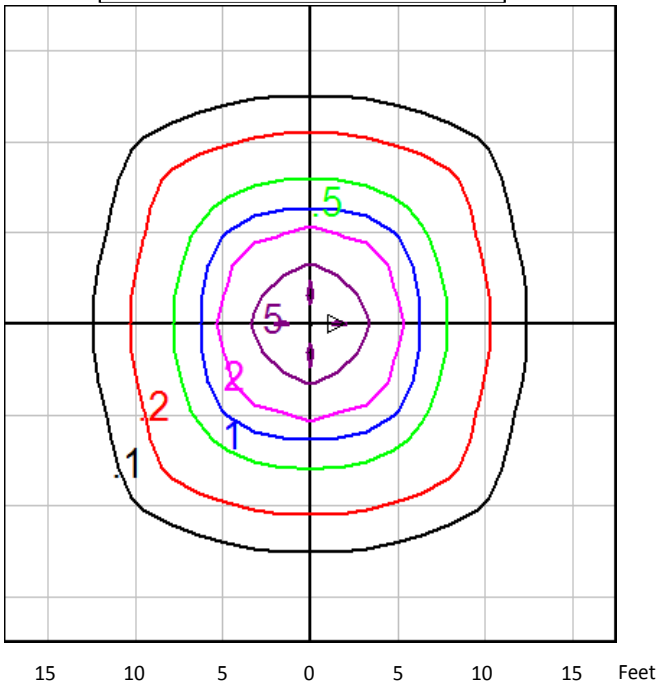
STAINLESS STEEL BOLLARD  
MOUNTING BASE PLATE



# Stainless Steel Bollard

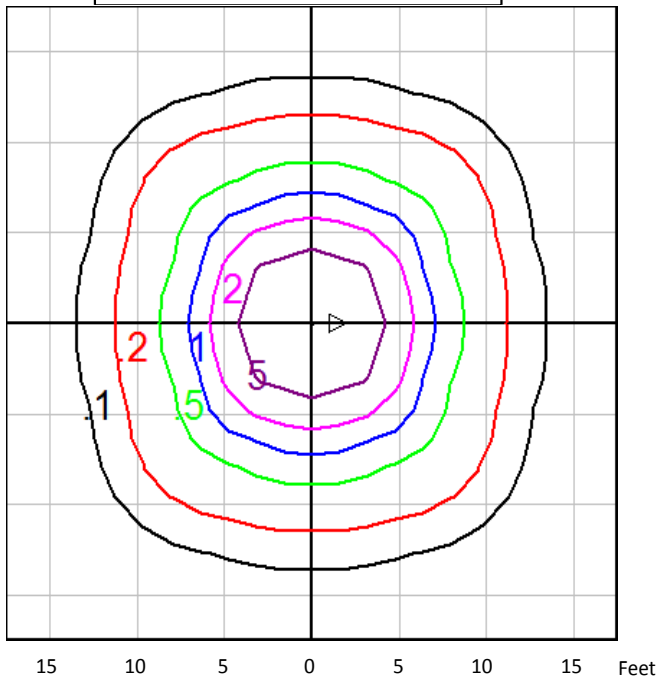
## Photometrics

SSB 14W FOOT CANDLE ISOLINE



BOLLARD FOOT CANDLE COLOR CODE	
FOOT CANDLES	COLOR CODE
20	
10	
5	
2	
1	
0.5	
0.2	
0.1	

SSB 23W FOOT CANDLE ISOLINE



# Stainless Steel Bollard

STAINLESS STEEL BOLLARD POWER AND LUMEN DATA						
SYSTEM WATTS (W)	LED POWER (W)	COLOR TEMP (K)	LED LUMENS (+/- 5%)	LED LUMENS/WATT	LUMINAIRE LUMENS (+/- 5%)	LUMINAIRE LUMENS/WATT
14	12	3000	1350	96	660	47
14	12	4000	1400	100	684	49
23	20	3000	1850	80	917	40
23	20	4000	1900	82	942	41

## Ordering Guide

- |                                                                       |                                                                                   |                                                                          |
|-----------------------------------------------------------------------|-----------------------------------------------------------------------------------|--------------------------------------------------------------------------|
| <p><b>1</b>   <u>Model:</u><br/>SSB - Stainless Steel<br/>Bollard</p> | <p><b>2</b>   <u>Wattage:</u><br/>14 - 14 W AC LED<br/>23 - 23 W AC LED</p>       | <p><b>3</b>   <u>CCT Color Temp:</u><br/>30K - 3000K<br/>40K - 4000K</p> |
| <p><b>4</b>   <u>Input VAC</u><br/>120 - 120VAC<br/>277 - 277VAC</p>  | <p><b>5</b>   <u>Lighting Control:</u><br/>ND - Non Dimming<br/>DIM - Dimming</p> | <p><b>6</b>   <u>Finish:</u><br/>PS - Polished Stainless Steel</p>       |

*Due to continuing efforts to improve our products, North Star Lighting reserves the right to make changes to this product at any time without prior notice.*

