

Product # _____ Type _____ Date _____

Project Name _____

Project Location _____ Prepared By _____

RF5 Series

Construction

- Housing is die-cast aluminum, heavy duty, structurally rigid and vibration resistant. Housing is finished charcoal gray using polyester powder coat. Other optional finishes are available.
- Lens Door Assembly is minimum 1/8" thick tempered glass lens, thermal and impact resistant, sealed with doorframe and housing using extruded, memory retentive silicone gasket. The doorframe is die-cast aluminum.
- Heatsink is black anodized made of thick aluminum with maximum contact with die die-cast housing for efficient heat dissipation and cooler operation for the LED Module for the long life operation.
- Base housing is die-cast aluminum. It is an enclosure for the electrical components. Housing/lens door assembly is separated by a shaft.

Optical System

- Optical system is designed to use with North Star SSL™ AlphaLED™ modules at 90% optical efficiency.
- ALXPG12 module (White or Single Color): Narrow spot 11° beam (N11) or medium flood with 26° beam (M26) or wide 46° beam (W46) or elliptical 38 x 21 horizontal beam (EH) or elliptical 21 x 38 horizontal beam (EV).
- ALXPE24 module (Color Mixing): Narrow spot 16° beam (N16) or medium flood with 24° beam (M24) or wide 40° beam (W40) or elliptical 48 x 18 horizontal beam (EH) or elliptical 18 x 48 horizontal beam (EV).



Made in the U.S.A.



Application

In compliant to UL 1598 and CSA C22.2 NO. 250.0 standards. Suitable for indoor/outdoor wet (IP65) or damp location use.

Ordering Guide

MODEL	LED MODULE CONFIG.	TOTAL LED POWER	CCT COLOR TEMP	LIGHT BEAM SPREAD	INPUT VAC	DRIVER/ CONTROLLER LOCATION	LIGHTING CONTROL	GLARE CONTROL
RF5	4 x 12	160	WW	ELH	U	I	ND	V
RF5	4 x 12	160	CW = 6K NW = 4.5K WW = 3K RD = Red GN = Green BL = Blue AM = Amber (Consult Factory)	N11 = 11° Narrow M26 = 26° Medium W46 = 46° Wide ELH=Ellip. Hor. ELV=Ellip. Vert.	U = Universal 110V to 277V C = 347V V = 480V	I = Integral R = Remote	DM = Dimming 1-10V remote BL = Bi-Level, dual output connections	V = Visor H = Hood
RF5	4 x 24	200	CM = Color Mix	N16=16° Narrow M24=24° Medium W40=40° Wide ELH=Ellip. Hor. ELV=Ellip. Vert.			DX = DMX Interface ND = No DMX	

RF5 Series

Electrical Components

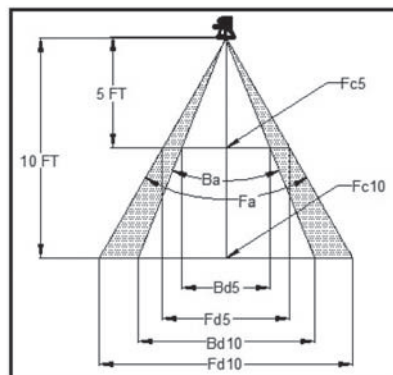
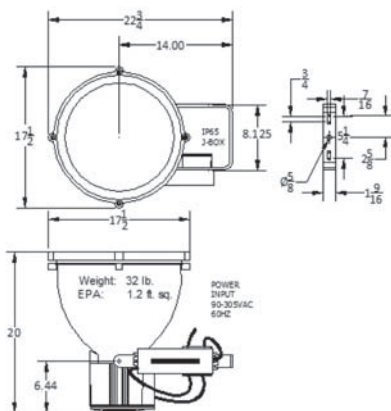
- AlphaLED™ Modules: AlphaLED™ modules are designed and manufactured using unprecedented heat management on copper metal core PCB board by North Star SSL®. AlphaLED™ module uses the latest high performance Cree XPG and XPE LEDs delivering highest lumen efficacy and over 50,000 hours of illumination life.
- LED Configuration: One ALXPG12 (40W) or one ALXPE24 (50W) operating below 85° junction temperature delivering maintained illumination to meet LM80 L70 lumen maintenance for greater than 50,000 hours of illumination life based on 25°C ambient operating temperature.
- Available LED Color Temperatures: 3000K, 4500K and 6000K. Also, available RGBW color mixing system with DMX interface.
- LED Drivers: UL/CSA recognized component to meet UL8750 & EN61347 (USR/CNR - E328335). Suitable for input power at 120-277VAC 50/60Hz.
- LED Controller (For color mixing application,): Exclusive North Star SSL® controller using non-PWM type, Cypress patented Prism Modulation Technology, produces low EMI and provide non-flickering smooth and continuous color mixing color wash or color fading effects. Supplied standard with pre-programmed demo color effects. Optional DMX module shall be available for DMX interface with the DMX networking.

Mounting

- Heavy duty yoke is provided with (2) 0.437 dia. Holes to mount on horizontal or vertical surface depending on application. Also sealed type water resistant 1/2" conduit connector is provided for the electrical connections.

Photometric Application Data

Performance Values	Optic N11	Optic M26	Optic W46	Optic ELH	Optic ELV
Maximum Center Candela Cd-max	286732	63153	17785	58114	58114
Maximum Center Fc @ 5 ft Fc5	11480	2526	711	2324	2324
Maximum Center Fc @ 10 ft - Fc10	2867	632	178	581	581
Beam Angle @ 50% of Max. Fc - Ba degrees	15.8°	40°	88°	74° x 26°	26° x 74°
Field Angle @ 10% of Max Fc - Fa degrees	30°	80°	130°	118° x 57°	57° x 118°
Beam Diameter in feet @ 5 ft - Bd5	1.38	1.8	4.8	7.5 x 2.3	2.3 x 7.5
Field Diameter in feet @ 5 ft - Fd5	2.33	4.2	4.8	16.8 x 5.3	5.3 x 16.8
Beam Diameter in feet @ 105 ft - Bd10	2.75	3.6	9.6	15 x 4.6	4.6 x 15
Field Diameter in feet @ 10 ft - Fd10	4.66	8.4	9.6	33.7 x 10.6	10.6 x 33.7



Distance Multipliers

(Adjusted from 10 ft values)

Distance in Feet	Multiplier for Beam or Field	Multiplier for Footcandle values
10	1.00	1.0000
15	1.50	0.4444
20	2.00	0.2500
25	2.50	0.1600
50	5.00	0.0400
75	7.50	0.0178
100	10.00	0.0100
150	15.00	0.0044