

### Construction

HOUSING die-cast aluminum, heavy duty, structurally rigid and vibration resistant; charcoal gray, polyester powder coat finish. Other optional other finishes are available.

LENS DOOR ASSEMBLY: Minimum 1/8" thick tempered glass lens, thermal and impact resistant, sealed with doorframe and housing using extruded, memory retentive silicone gasket. The door frame is die-cast aluminum

### Optical System

Optical system is a one piece precision die formed aluminum and finished to specular mirror surface ; designed for high performance controlled beam and low glare.

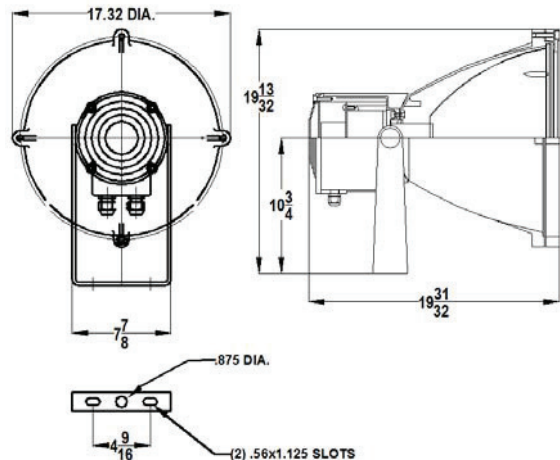
### Electrical Components

LAMPHOLDER shall be ceramic body, PGZ18 base. Rated 6KV, 600V with 18AWG 250 degree C Teflon wire leads. UL recognized component.

BALLAST shall be Electronic, ANSI C183 type, high power factor, minimum -20C starting temperature.. Input volts 277VAC, 60Hz. UL recognized component.

### Mounting

Special mounting. Refer drawing SD-88A and SD-88B



### PHOTOMETRIC DATA

MODEL RAF5-210CDM-T9	Light Beam Option		
	N	M	W
IES NEMA Type	1H X 1V	3 H x 3 V	4 H x 4 V
Maximum Candela	852,830	136476	31227
Maximum Candela Angle	0H 0V	0H 0V	0H 0V
Horizontal Beam Angle (50%)	6.5	15.6	40.6
Vertical Beam Angle (50%)	6.5	15.6	40.6
Horizontal Field Angle (10%)	13	32	68
Vertical Field Angle (10%)	13	32	68
Lumens Per Lamp	23,100	23100	23100
Total Lamp Lumens	23100	23100	23100
Beam Lumens	6005	6495	8499
Beam Efficiency	26%	28%	37%
Field Lumens	11969	12227	14107
Field Efficiency	52%	53%	61%
Spill Lumens	4262	3855	1842
Luminaire Lumens	16231	16082	15948
Total Efficiency	70%	70%	69%
Total Luminaire Watts	229W	229	229
Ballast Factor	1	1	1

## ORDERING GUIDE

MODEL	LIGHT BEAM	MOUNTING TYPE	INPUT VOLTAGE	OPTION
<b>RAF5-210CDM-T9</b>	<b>M</b>	<b>A</b>	<b>277V</b>	<b>RR-CL</b>
RAF5-210CDM-T9	N - Narrow, Clear Lens M- Medium, Industrex Lens W - Wide, Pattern 73 Lens	A - Design SD-88A B - Design SD-88B	277V	RR - Rear Relamp CL - Cross Louver