

Product # _____ Type _____ Date _____

Project Name _____

Project Location _____ Prepared By _____

Procyon™ 1 C

Construction

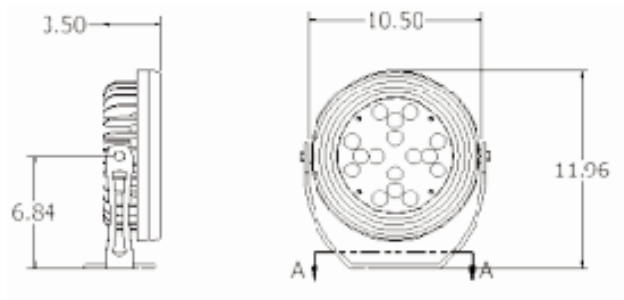
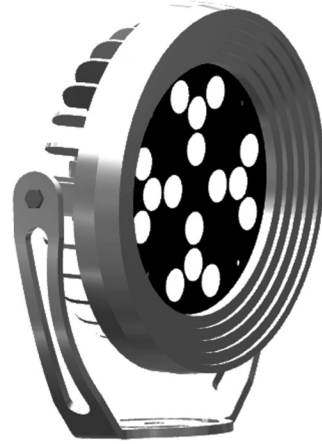
- Housing is die-cast aluminum, heavy duty, structurally rigid and vibrantly dissipating heat for longer lumen maintenance life-hours. Housing is finished mini texture charcoal gray using polyester powder coat. Other optional finishes are available at nominal cost.
- Lens Door Assembly Minimum 1/8" thick clear tempered glass lens, thermal and impact resistant, sealed with doorframe and housing using extruded, memory retentive gasket. The doorframe is die-cast aluminum.

Optical System

- Largest selection of optical choices shall be available to fit your applications. Please specify your selection from the ordering guide. Photometric Application Data table is provided additional tool for selecting appropriate optic system suitable to the application.
- Glare Control: Choice of external glare control accessories are available. Please select from the catalog ordering guide.

Product Applications

- Landscape spot/Floods
- Building façade/Column light
- Statue/art painting display spot light
- Sign light
- Flag light
- Building wall washer
- High power flood light
- Very long throw narrow spot light
- Bridge light-Stay-cable (narrow spot)
- Pole mount adjustable flood light
- Very cold environment flood light
- Vibration resistant flood light
- Sport-Stadium light
- Fishing-Long throw flood



Fixture EPA: 0.5sq. ft.
Weight: 12 lbs.

Made in the U.S.A: meets Buy America and ARRA requirements.

LED configuration shown for illustration purposes only.
Actual LED configuration may be different.

Ordering Guide

MODEL	TOTAL LED POWER	CCT COLOR TEMP	LIGHT BEAM SPREAD	INPUT VAC	LIGHTING CONTROL	GLARE CONTROL
PRO1C	50 = 50W	CM = Color Mixing, RGBW	N15 = 15° Narrow M31 = 31° Medium W40 = 40° Wide	U = Universal 110V to 277V	DMX = DMX-512 Interface only	V = Visor H = Hood CL = Cross Louver

North Star Lighting reserves the right to make changes to this product at any time without prior notice.

Procyon™ 1 C

Electrical Components

- AlphaLED™ Engine: 1 LED Module of 7-Red, 7-Green, 7-Blue and 7-White LEDs are configured with total 28-LEDs. They are mounted directly on the highly conductive aluminum die-cast housing. These LEDs are operating below 85°C case temperature and deliver superior maintained illumination per LM80 L70 standards. Please refer LED Performance Data table for the targeted LED illumination life at 25°C to 50° C luminaire outside ambient temperature.
- Remote LED Drivers: UL/CSA recognized component to meet UL8750 & EN61347 (USR/CNR -E328335). Suitable for input power at 120-277VAC 50/60Hz.
- Power connection: A 3 feet long outdoor rated water resistant flex conduit cable shall be provided for the electrical power connections to the Remote Enclosure for LED drivers direct to yoke mount or remote locations within 50 feet radius. For the remote location mounting enclosure of LED drivers, custom wire lengths of flex conduits, must be specified.

Mounting

- Adjustable aim and lock type yoke is provided with (2) 0.5620 dia. mounting holes to mount on horizontal or vertical surface depending on application. The yoke is made of aluminum and finished powder coat to match luminaire finish.

Safety Compliance

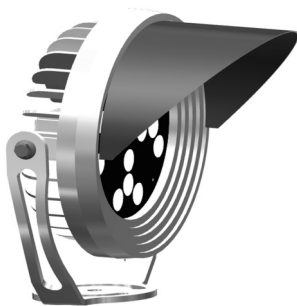
- UL 1598 and CSA C22.2 NO. 250.0 standards. Suitable for indoor/outdoor wet (IP65) or damp location use.

Targeted LED Performance

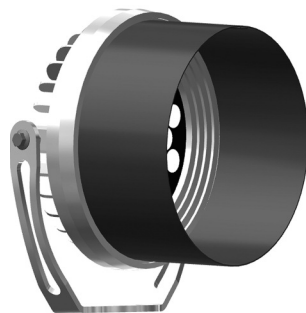
Luminaire Data @ 25°C

CREE LM80 Projected Life Hours Per IESNA TM21

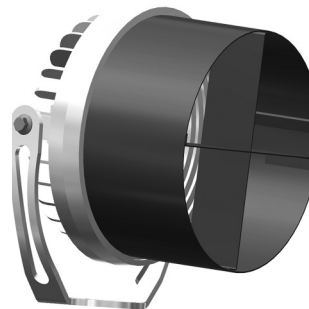
Model	No. of LEDs	LED Color Temp	LED Watts	Output Lumens	At 25°C, Luminaire Ambient L70 (10k) Life		At 40°C, Luminaire Ambient L70 (10k) Life		At 50°C, Luminaire Ambient L70 (10k) Life	
					TS-°C	TS-°C	TS-°C	TS-°C		
PRO1C	7	RED	11	627	Greater than 50,000	Under 85	Greater than 50,000	Under 85	Greater than 50,000	Under 85
	7	GREEN	12	728						
	7	BLUE	11	291						
	7	WHITE	15	1310						
	28	RGBW	50	2957						



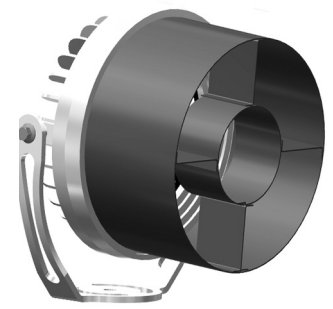
V - Visor



H - Hood



CL - Cross Baffle



CR - Concentric Ring

North Star Lighting reserves the right to make changes to this product at any time without prior notice.

Procyon™ 1 C

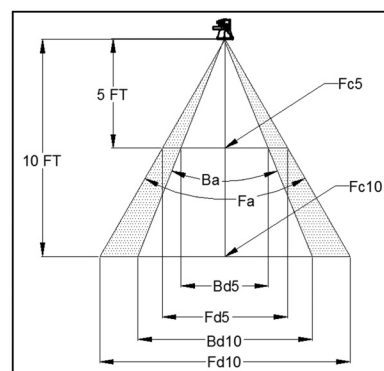
Photometric Application Data - RGBW (Use multiplier table for values red, green, blue or white)

Performance Values	Optic N15	Optic M31	Optic W40
NEMA Classification	3HX3V	4HX4V	5HX5V
Maximum Center Candela Cd-max	28948	6828	5401
Maximum Center Fc @ 5 ft Fc5	1158	273	216
Maximum Center Fc @ 10 ft - Fc10	289	68	54
Beam Angle @ 50% of Max. Fc - Ba degrees	15°	33°	40°
Field Angle @ 10% of Max Fc - Fa degrees	30°	67°	74°
Beam Diameter in feet @ 5 ft - Bd5	1.32	2.96	3.64
Field Diameter in feet @ 5 ft - Fd5	2.68	6.62	7.53
Beam Diameter in feet @ 105 ft - Bd10	2.63	5.92	7.28
Field Diameter in feet @ 10 ft - Fd10	5.36	13.24	15.07

Photometric Conversion Table

To be used to convert from photometry of 50W, RGBW to other wattages and color LEDs

Model	No. of LEDs	LED Color	LED Watts	Output Lumens	Conversion Multiplier-for candela values and foot candle values-all optics options
PRO1C	7	Red	11	627	0.212
	7	Green	12	728	0.246
	7	Blue	11	291	0.098
	7	White	15	1310	0.443
	28	RGBW	50	2957	1.000



Distance Multipliers (Adjusted from 10 ft values)

Distance in Feet	Multiplier for Beam or Field	Multiplier for Footcandle values
10	1.00	1.0000
15	1.50	0.4444
20	2.00	0.2500
25	2.50	0.1600
50	5.00	0.0400
75	7.50	0.0178
100	10.00	0.0100
150	15.00	0.0044

North Star Lighting reserves the right to make changes to this product at any time without prior notice.