

Helios 1200W

Specifications

Helios LED Highmast has been engineered to efficiently light large interchanges or parking lots or large sections of roadways, stadiums, warehouse or any large open area. Helios provides specification grade optical performance using high efficacy LED and high power factor LED drivers.

Construction

Helios is constructed from corrosion resistant aluminum alloy. It has cold forged heatsink core with patented Forging Fit Technology capable of passively cooling up to 1200W. Fixture has adjustable angle bracket with a 270 degree allowable swivel, adaptable to various masts and poles. It has durable surface finish to protect against corrosion and withstand harsh weathering.

Optics/Lens

The 1200 watt LED Helios is available in 28/35, 25, 60 degree beam angles. Fixture is equipped with a reflector and tempered glass lens with a waterproof IP65 sealed design.

Electrical

High power LED source, with performance of greater than 99.4 lumens per watt. Standard Color Temperature 5000K, CRI of 70 or greater. Other optional color temp and CRI available on request. LED Drivers: UL/CSA recognized component to meet UL8750 & EN61347 (USR/CNR - E328335). Suitable for input power at 90-305VAC, Minimum power factor >0.98 with an operating temperature range of -40-158 degrees F / -40-70 degrees C. Dimmable.

Finish

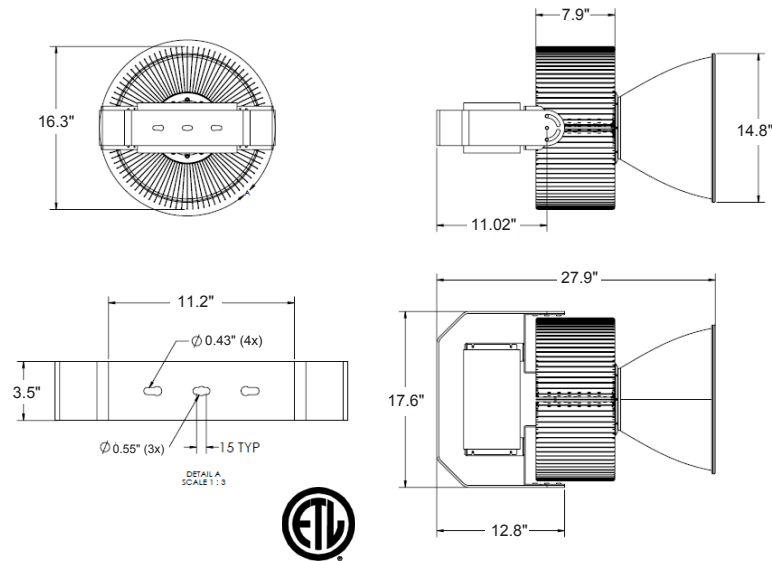
Black finish is standard. Other optional finishes are available on request.

Warranty and Certifications

5 years for LED Light Engine and Driver, 7 years for housing. 50,000 hours @ 25°C L70 LED Illumination per LM-80. cULus Wet Locations in compliance with UL 1598 and CSA C22.2 NO. 250.0 standards. IP65 rated. Suitable for indoor/outdoor wet or damp location use. CE listed and Lighting Facts.



Size: 17.6" x 16.3" x 27.9"
Weight: 56.1lb



Ordering Guide

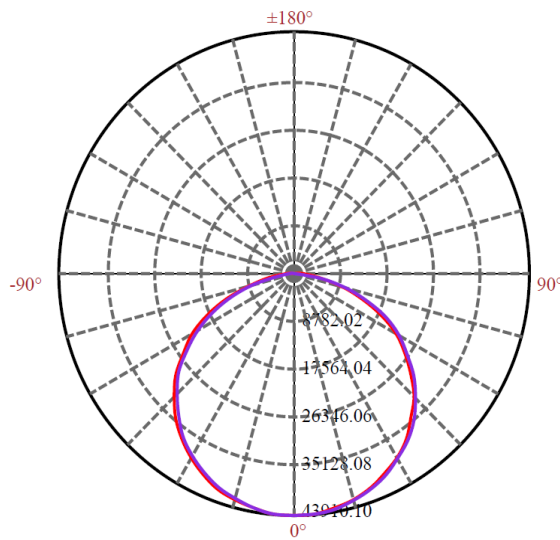
MODEL	TOTAL LED POWER	CCT COLOR TEMP	LIGHT BEAM SPREAD	INPUT VAC	LIGHTING CONTROL	GLARE CONTROL	MOUNTING
HPH	1200 = 1200W	27-2700K* 30-3000K* 40-4000K* 50 - 5000K Standard *+/-350K	4 = NEMA 4HX4V 5 = NEMA 5HX5V 6 = NEMA 5HX7V 7 = NEMA 7HX7V	U = Universal 90V to 305V	ND = Non Dimming D = Dimming	**Consult factory for available options	SM = Surface Mount

Note: Due to continued efforts to improve our products, specifications are subject to change without notice.



LED Helios 1200W

Photometrics

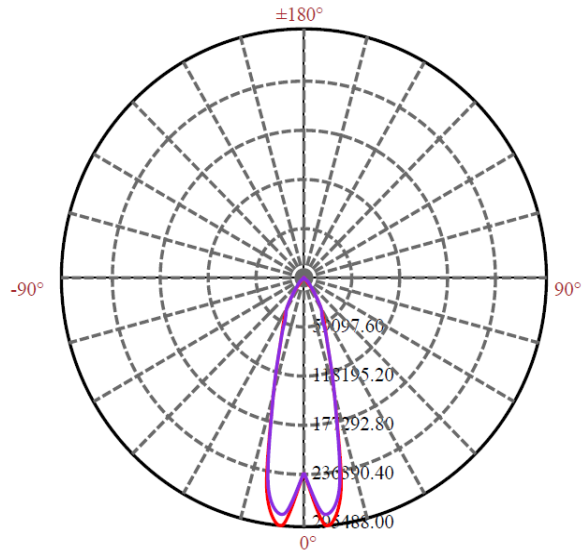


No Reflector

Beam Angle:

120° Field

Angle: 162°



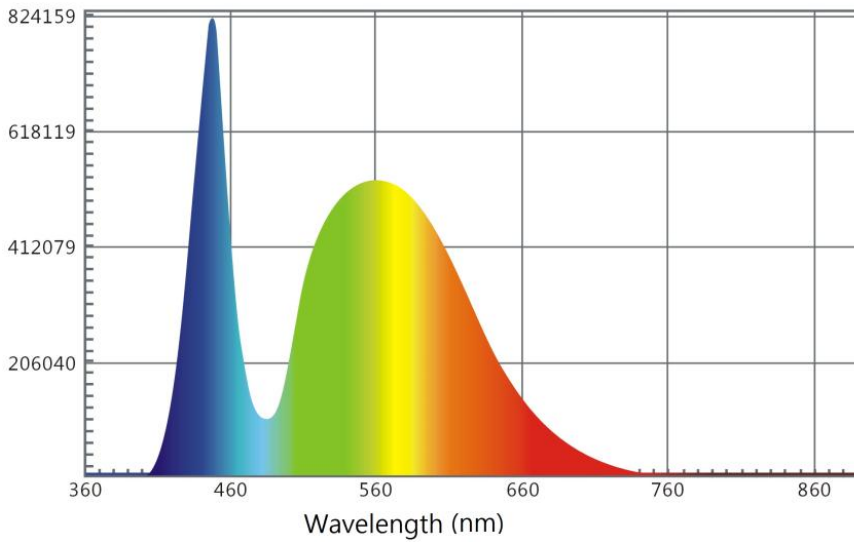
35° Reflector

Beam Angle:

34.8° Field

Angle: 70°

Spectral Flux ($\mu\text{w}/\text{nm}$)



CCT	5443
CIE_x	0.3339
CIE_y	0.3425
CIE_u	0.2073
CIE_v	0.4785
CRI	73.11

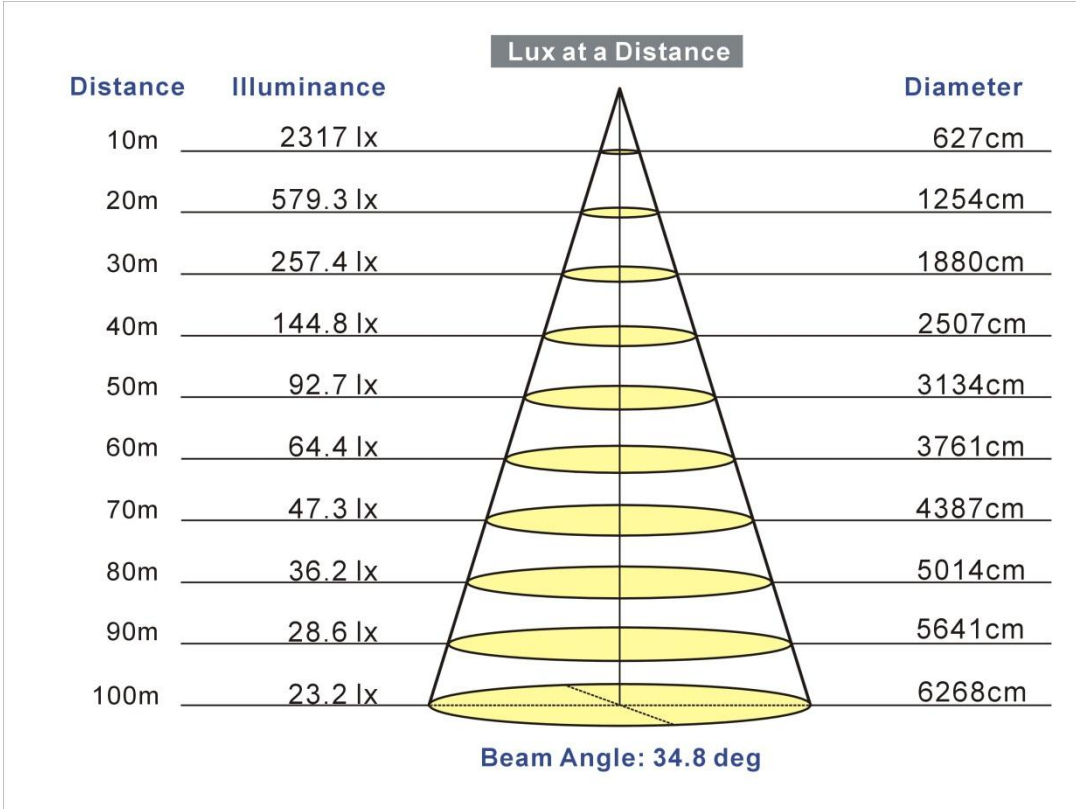


NORTH STAR
LIGHTING

835 Industrial Drive, Elmhurst, IL 60126 708.681.4330 www.nslights.com

LED Helios 1200W

Photometrics



LED Helios 1200W

Fixture Orientation

