

Contrast Pinspot

THORN

A precision floodlight for halogen and metal halide lamps with a selection of glasses and attachments

- Ideal for precise lighting of sculptures, plants, trees or signage, or the emphasis of architectural detail
- Sealed to IP65
- Glasses and attachments can be used in combination for a variety of beam distributions
- Surface or stem mounting
- Large base houses transformer or control ballast



Pinspot small base with glass refractor and louvre (SBRA-Short Stem) (SPL-Small Base)



Large base (LPL)



11.8" stem (LBRA)

Materials/Finish

Body: Copper free die-cast aluminum, textured grey powder coated finish (close to RAL 9007). Alternative RAL colors on request.

Front lenses: .15" tempered glass.

Attachment retaining screws: nickel plated brass.

Ground spike: recyclable polypropylene. Fixing bolts and screws: stainless steel.

Installation/Mounting

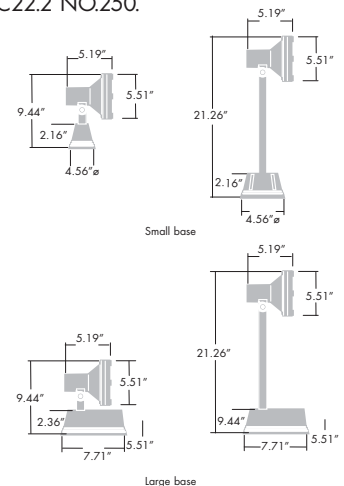
Floodlight rotates 360° around its axis. Locked by two .15" Ø screws. Easy access to lamp via four screws which fix the protective glass. Fixing to wall or surface by two screw holes in the base. After installing ballast plate the body fixes (by three Allen screws) giving automatic electrical connection.

Specification

To specify state. Small surface or stem mounting mains voltage floodlight, IP65 protected, integral ballast, and with choice of color filters and beam control attachments. As Thorn Contrast Pinspot.

Certification

Luminaire shall be certified for Indoor/Outdoor use, wet location, to meet UL 1598 standards and CSA Std. C22.2 NO.250.



Ordering Guide

Lamps to be ordered separately

New Description	Socket	Weight (lb)	SAP Code
PINSPOT SBRA 50/75W QPAR16 SPL QUARTZ HALOGEN	GU10	6.6	96002714
PINSPOT LBRA 50/75W QPAR16 SPL QUARTZ HALOGEN	GU10	7.72	96002715
PINSPOT SBRA 75/100W QPAR30 SPL QUARTZ HALOGEN	Med.	6.6	96005818
PINSPOT LBRA 75/100W QPAR30 SPL QUARTZ HALOGEN	Med.	7.72	96005815
PINSPOT SBRA 50W 12V QR-CB51 LPL QUARTZ HALOGEN	GU5.3	9.48	96005817
PINSPOT LBRA 50W 12V QR-CB51 LPL QUARTZ HALOGEN	GU5.3	10.58	96005814
PINSPOT SBRA 50W 12V QR70 LPL QUARTZ HALOGEN	Ba15d	9.26	96002712
PINSPOT LBRA 50W 12V QR70 LPL QUARTZ HALOGEN	Ba15d	10.36	96002713
PINSPOT SBRA 35W HIPAR20 LPL MH	Med.	9.48	96002716
PINSPOT LBRA 35W HIPAR20 LPL MH	Med.	10.58	96002717

Note: SBRA - short stem, LBRA - long 300mm stem, SPL - small base, LPL - large base

Attachments

Color Filters

PINSPOT FILTER/BLU	0.79	96002478
PINSPOT FILTER/GRN	0.79	96002481
PINSPOT FILTER/RED	0.79	96002479
PINSPOT FILTER/YEL	0.79	96002480

Prismatic Glasses and Accessories

PINSPOT GL A/S SINT (OMP)	MEDIUM GLASS	0.11	96002724*
PINSPOT GL A/S EXT (OMW)	WIDE GLASS	0.11	96002725*
PINSPOT AGS (x4)	BARN DOORS (1 PIECE)	0.22	96002475
PINSPOT LV	FIXED LOUVRES	0.33	96002476
PINSPOT VS	VISOR	0.33	96002477
PINSPOT MGS	GROUND SPIKE	1.1	96002718

* Substitute for existing glass, retaining existing gasket.

Contrast Mini Pinspot

THORN

A miniature floodlight for 20W metal halide, halogen capsule lamps or LED cluster with a selection of glasses and attachments (UL/CSA listed for indoor/outdoor use, wet location)



Large base (LPL)

- Ideal for precise lighting of sculptures, plants, trees or signage, or the emphasis of architectural detail
- Sealed to IP65
- Glasses and attachments can be used in combination for a variety of beam distributions
- Surface mounting
- Large base houses electronic ballast
- Choice of reflectors, (intensive): 6° (extensive): 14°
- LED version with 3 x 1W LED PCB cluster in choice of five colors - white, blue, green, red and yellow

Consult factory for RGB network DMX

Materials/Finish

Body: Copper free die-cast aluminum, textured grey powder coated finish (close to RAL 9007) Alternative RAL colors on request
 Front lenses: 0.15" toughened glass
 Attachment retaining screws: nickel plated brass
 Reflector: for narrow or wide beams
 Ground spike: recyclable polypropylene
 Fixing bolts and screws: stainless steel

Installation/Mounting

Floodlight rotates 360° around its axis. Locked by two 0.15" Ø screws. Easy access to lamp via four screws which fix the protective glass. Fixing to wall or surface by two screw holes in the base. After installing ballast plate the body locates (by three Allen screws) giving automatic electrical connection. Cable gland for 0.31" - 0.39" Ø cable. Additional knockout provided for through wiring on large base only.

Specification

To specify state. Miniature surface mounting mains voltage floodlights, with choice of reflector (intensive/extensive), integral ballast, IP65 protection, and with choice of color filters and beam control attachments. As Thorn Contrast Mini Pinspot.

Certification

Luminaire shall be certified for Indoor/Outdoor use, wet location, to meet UL 1598 standards and CSA Std. C22.2 NO.250.

Ordering Guide

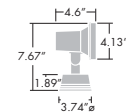
Lamps to be ordered separately, except LED versions

New Description	Weight (lb)	SAP Code
MINIPIN 20W HID-TC-CE L INT INTENSIVE METAL HALIDE	2.82	96009852
MINIPIN 20W HID-TC-CE L EXT EXTENSIVE METAL HALIDE	2.82	96009853
MINIPIN 25/40W QT14CL S INT QUARTZ HALOGEN	1.83	96009854
MINIPIN 25/40W QT14CL S EXT QUARTZ HALOGEN	1.83	96009855
MINIPIN 35W 12V QT12 S INT QUARTZ HALOGEN	1.94	96009856
MINIPIN 35W 12V QT12 S EXT QUARTZ HALOGEN	1.94	96009857
MINIPIN ROT 3W 3LED WHI S INT	2.05	96200738
MINIPIN ROT 3W 3LED BLU S INT	2.05	96200735
MINIPIN ROT 3W 3LED RED S INT	2.05	96200734
MINIPIN ROT 3W 3LED GRN S INT	2.05	96200736
MINIPIN ROT 3W 3LED YEL S INT	2.05	96200737

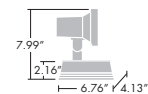
L - Large rectangular base, S - Small round base
 INT - Intensive reflector, EXT - Extensive reflector
 WHI - White, BLU - Blue, GRN - Green, YEL - Yellow

Attachments			
New Description		Weight (lb)	SAP Code
MINIPIN GL/FR	ETCHED FROSTED GLASS	0.11	96009858*
MINIPIN GL (OMW)	OMW WIDE LENS	0.13	96009859*
MINIPIN GL (OMP)	OMP MEDIUM LENS	0.13	96009860*
MINIPIN MGS	GROUND SPIKE	0.31	96009861
MINIPIN FILTER/BLU	BLUE FILTER	0.13	96009862
MINIPIN FILTER/GRN	GREEN FILTER	0.13	96009864
MINIPIN FILTER/RED	RED FILTER	0.13	96009863
MINIPIN FILTER/YEL	YELLOW FILTER	0.13	96009865

* Substitute for existing glass, retaining existing gasket.



Small base



Large base