

# Challenger (SFC)

### Challenger Specification

Challenger features an improved advanced design lightweight, compact, NEMA heavy duty, wide beam floodlight. Available in 70 to 400 watt mogul base high pressure sodium lamp, 175 to 400 watt mogul base metal halide lamp. Available with (specify) 120, 208, 240, 277, 480 volt or 4MT (120, 208, 240, 277V) 60Hz ballast. The floodlight shall be completely pre-wired and factory assembled.

### Basic Product Description

One piece cast aluminum ballast housing, lamp housing, and wiring compartment. Floodlight is finished in all weather bronze polyester powder coating. Floodlight shall include a weatherproof strain relief bushing, sturdy two hole mounting yoke formed of high strength non-corrosive aluminum. Adjustable knuckle 2" pipe (2 3/8" O.D.) mounting. All stainless steel hardware. The tempered clear glass lens is thermal shock and impact resistant.

### Ballast Characteristics

The floodlight shall contain a U.L. recognized High Power Factor ballast and start and operate the lamp down to -20oF (-30oC) for metal halide and -40oF (-40oC) for high pressure sodium. Mercury vapor lamps may be used in 175 and 250 watt metal halide fixtures. For availability of 220/240V 50Hz ballasts - consult factory.

### Reflector Assembly

Die cast hinged lens frame with silicone gasket provides easy front access to lamp. A precision formed anodized finished reflector provides wide beam distribution.

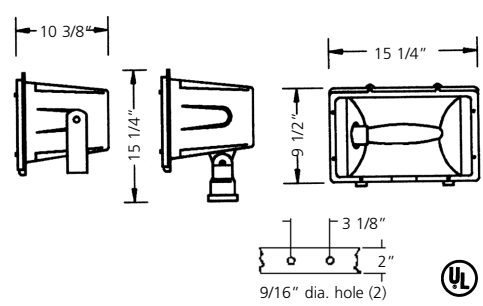
### Suggested Applications

General area, parking lot and security lighting.



Suitable for wet locations  
Lamp included

Effective Projected Area  
EPA = 1.1 SQ. FT.  
WEIGHT = 27-30 lbs

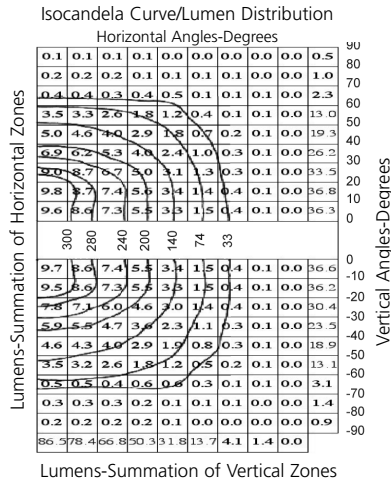
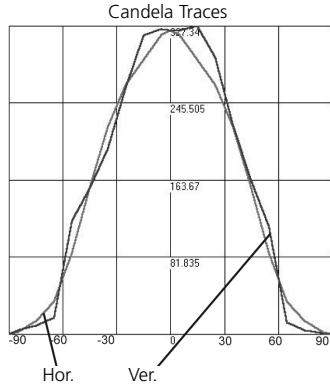


Accessories/Mounting Brackets, see Accessory Page

Ordering Example						
Unit	Wattage	Photometrics	Mounting	Lamp Style	Voltage	Ballast Sstyle
SFC	3	7	1	H	208	H
Challenger	0 - 70 1 - 100 2 - 150 3 - 175 4 - 250 6 - 400* 200 - 200PS 320 - 320PS* 350 - 350PS* 400 - 400PS*	7 - Wide Beam	1-Yoke Mount 4-Knuckle Mount (factory installed)	H - Metal Halide LS - High Pressure Sodium	120 208 240 277 480 4MT- (120, 208, 240, 277V) LB - Less Ballast**	H - High Power Factor
			<b>Accessories</b> <b>V</b> V - Visor LS - Lamp Support SIF - Single Inline Fuse (120, 277v) DIF - Double Inline Fuse (208, 240, 480v) FB - Filter Breather PL - Vandal Resistant Polycarbonate Shield SC - Stainless Steel Safety Cable RPC - Factory Wired Twist Lock Photocell Receptacle Only PE - Twist Lock Photocell 3/16/350 - 3 ft. cord. for other length change 3' to length desired D - Deflectors, left or right side G - Wire Guard SSG - Stainless Steel Wire Guard UP - For aiming above horizontal			
	*ED-28 shape lamp					
	**Consult factory					
	CSA Certification - consult factory.					

# Challenger (SFC)

## Photometrics

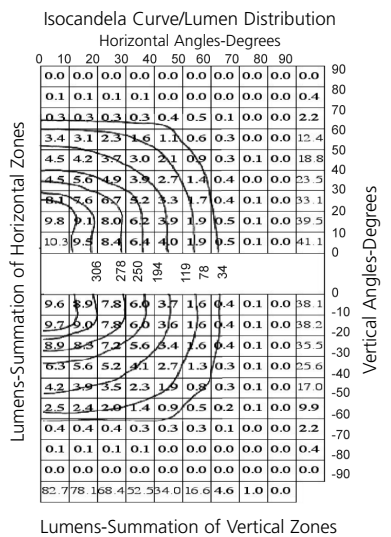
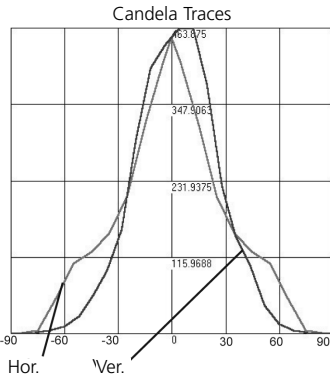


Fixture: SFC-671LS  
Lamp: 400 Watt Clear High Pressure Sodium

IES Type 7H X 6V  
Max Candela 327  
Hor Field Angle (10%) 131.7 deg  
Ver Field Angle (10%) 126.5 deg  
Field Lumens 637  
Field Efficiency 63.7%  
Total Lumens 663  
Total Efficiency 66.3%

Candela & Lumen values are based on 1,000 lamp lumens. For other lamp lumen ratings, multiply candela and lumen values by the number: Lumens divided by 1,000.

Per 1,000 Lamp Lumens



Fixture: SFC-671H  
Lamp: 400 Watt Clear Metal Halide

IES Type 7H X 6V  
Max Candela 343  
Hor Field Angle (10%) 130.9 deg  
Ver Field Angle (10%) 124.6 deg  
Field Lumens 660  
Field Efficiency 66.0%  
Total Lumens 681  
Total Efficiency 68.1%

Candela & Lumen values are based on 1,000 lamp lumens. For other lamp lumen ratings, multiply candela and lumen values by the number: Lumens divided by 1,000.

Per 1,000 Lamp Lumens