

ARCHITECTURAL GARAGE LIGHTING



ARCHITECTURAL PARKING GARAGE LIGHTING (PGL SERIES)

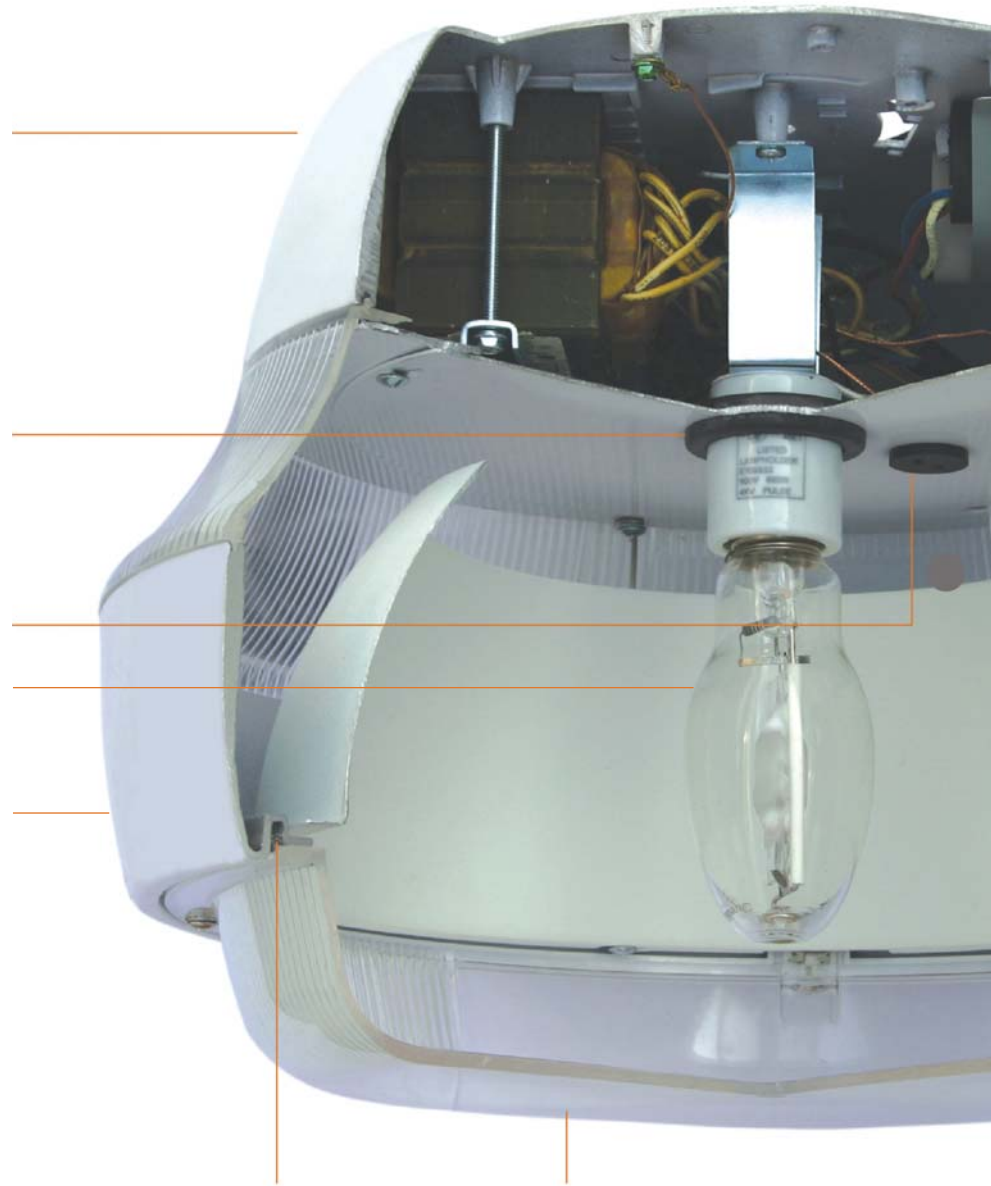
Ballast mounted directly to fixture housing for optimal heat dissipation. Die cast aluminum upper housing with UV resistant powder coat paint finish.

One-piece silicone gasket ring serves as a shock absorber and stabilizer for lampholders, which prolongs lamp life.

Quartz restrike option is available.

Premium lamp included - factory installed

Die cast aluminum lower housing with UV resistant powder coat paint finish.



One-piece silicone gasket keeps out moisture, bugs, dirt and other contaminants.

Precision prismatic lens, with UV-resistant high impact acrylic and a thickness of 0.11", provides optimal light distribution. The hinged lens allows hands-free lamp replacement.

APPLICATIONS

Parking garages, underpasses, tunnels or low level mounting for general illumination.

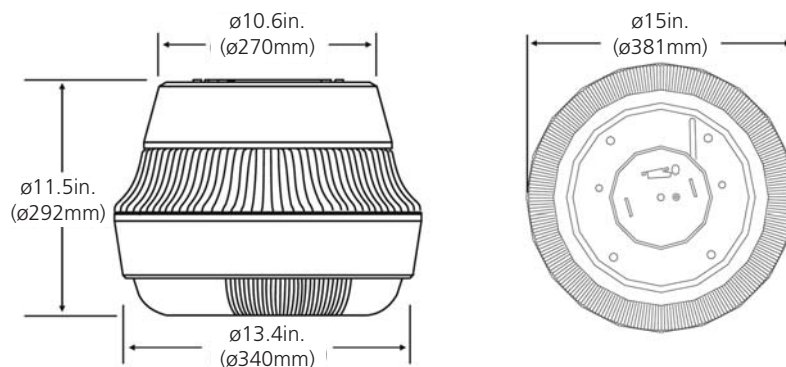
General Specifications

- Low profile, modern design.
- IMB (Intelligent Mounting Bracket), easy one-person installation, features a universal mounting plate standard with leveling device for accurate installation.
- UL and CUL listed for wet locations.
- IP55 listed.
- Heavy duty die cast aluminum housing.
- One piece anodized aluminum reflector with high reflectance white paint for uniform light distribution and low glare.
- White powder coat paint finish standard (custom colors available).
- Precision injected molded, UV acrylic optical assembly (polycarbonate option available).
- Quartz restrike feature available.
- Ideal for MH 200 watts & HPS 150 watts max.
- Compact fluorescent 4x42W max. and induction lamp 85W max.
- Stainless steel external hardware.
- Maximum Weight: 20 lbs.
- Lamp Included - Factory installed



One piece anodized aluminum reflector with high reflectance white paint provides uniform light distribution.

ENGINEERING DIMENSIONS



INSTALLATION INSTRUCTIONS



Mounting plate secured to standard J-Box



Hang fixture by "clicking" hooks into the upper housing

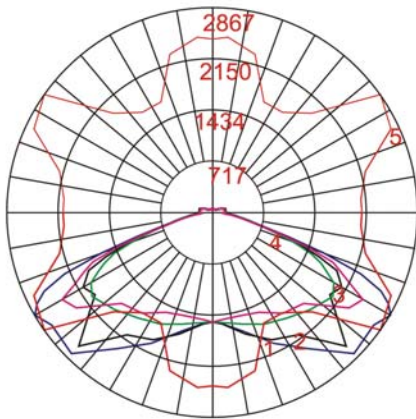


With hands free, make electrical connections



Lift fixture and turn clockwise until unit is tightly secured to the plate

PHOTOMETRIC



Maximum Candela = 2867 Located At Horizontal Angle = 35, Vertical Angle = 60

#1 - Vertical plane through horizontal angles (35-215) (through max. Cd.); BLUE

#2 - Vertical plane through horizontal angles (0-180); BLACK

#3 - Vertical plane through horizontal angles (45-225); GREEN

#4 - Vertical plane through horizontal angles (90-270); MAGENTA

#5 - Horizontal cone through vertical angle (60) (through max. Cd.); RED

IES format is available upon request



2150 Parkes Drive, Broadview, Illinois 60155 P: 708.681.4330 F: 708.681.4006 www.nslights.com